



US008368469B2

(12) **United States Patent**
Mohammadi et al.

(10) **Patent No.:** **US 8,368,469 B2**
(45) **Date of Patent:** **Feb. 5, 2013**

(54) **SILICON-ON-INSULATOR HIGH POWER AMPLIFIERS**

7,667,499 B2 * 2/2010 Knoblinger 326/119
7,755,435 B2 * 7/2010 Lu et al. 330/311
2009/0115529 A1 5/2009 Chao et al.

(75) Inventors: **Saeed Mohammadi**, Zionsville, IN (US); **Sultan R. Helmi**, West Lafayette, IN (US); **Jing-Hwa Chen**, West Lafayette, IN (US); **Andrew J. Robison**, West Lafayette, IN (US)

OTHER PUBLICATIONS

McRory et al., "Transformer Coupled Stacked FET Power Amplifiers", IEEE Journal of Solid State Circuits, vol. 34, No. 2, Feb. 1999, pp. 157-161.

(73) Assignee: **Purdue Research Foundation**, West Lafayette, IN (US)

Mistry et al., "Low Power Multi-Gigahertz Divider Architectures in SOI CMOS Employing Series Current Reuse.", European Conference on Circuit Theory and Design, Aug. 28-31, 2001, Espoo, Finland, pp. III-161-III-164.

(*) Notice: Subject to any disclaimer, the term of this patent is extended or adjusted under 35 U.S.C. 154(b) by 0 days.

Sun et al., "Lateral High-Speed Bipolar Transistors on SOI for RF SoC Applications", IEEE Transactions on Electron Devices, vol. 52, No. 7, Jul. 2005, pp. 1376-1383.

(21) Appl. No.: **13/044,989**

Jeong et al., "A 20 dBm Linear RF Power Amplifier Using Stacked Silicon-on-Sapphire MOSFETs", IEEE Microwave and Wireless Components Letters, vol. 16, No. 12, Dec. 2006, pp. 684-686.

(22) Filed: **Mar. 10, 2011**

Lei et al., "Design and Analysis of Stacked Power Amplifier in Series-Input and Series-Output Configuration", IEEE Transactions on Microwave Theory and Techniques, vol. 55, No. 12, Dec. 2007, pp. 2802-2812.

(65) **Prior Publication Data**

US 2011/0227648 A1 Sep. 22, 2011

Scuderi et al., "A Stage-Bypass SOI-CMOS Switch for Multi-Mode Multi-Band Applications", IEEE Radio Frequency Integrated Circuits Symposium, 2008, pp. 325-328.

Related U.S. Application Data

Pornpromlikit et al., "A Watt-Level Stacked-FET Linear Power Amplifier in Silicon-on-Insulator CMOS", IEEE Transactions on Microwave Theory and Techniques, vol. 58, No. 1, Jan. 2010, pp. 57-64.

(60) Provisional application No. 61/312,288, filed on Mar. 10, 2010.

(Continued)

(51) **Int. Cl.**
H03F 3/16 (2006.01)

Primary Examiner — Henry Choe

(52) **U.S. Cl.** **330/277**; 330/311

(74) *Attorney, Agent, or Firm* — Barnes & Thornburg LLP

(58) **Field of Classification Search** 330/277,
330/307, 295, 124 R, 311

See application file for complete search history.

(57) **ABSTRACT**

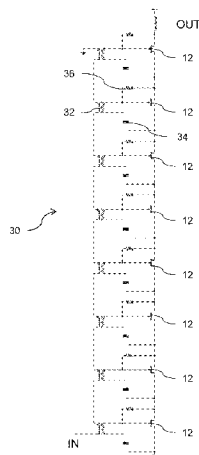
(56) **References Cited**

U.S. PATENT DOCUMENTS

5,742,205 A * 4/1998 Cowen et al. 330/269
6,137,367 A * 10/2000 Ezzedine et al. 330/311
6,323,475 B1 * 11/2001 Spartiotis et al. 250/208.1
6,888,396 B2 5/2005 Hajimiri et al.
7,071,786 B2 * 7/2006 Inoue et al. 330/311
7,215,206 B2 5/2007 Dupuis et al.
7,486,141 B2 * 2/2009 Do et al. 330/276

Illustrative embodiments of a power amplifier are disclosed which include a plurality of amplifier cells, each having an input and an output. The plurality of amplifier cells are formed on a semiconductor substrate such that the outputs of the plurality of amplifier cells are electrically coupled in series. Each of the plurality of amplifier cells may comprise a first transistor that is electrically insulated from the semiconductor substrate and a first feedback resistor configured to dynamically bias the first transistor.

16 Claims, 10 Drawing Sheets



OTHER PUBLICATIONS

"Axiom's Family of GSM/GPRS Quad band CMOS Power Amplifiers", Axiom Microdevices Inc., 2008, 3 pages.

"Si4300 GSM/GPRS Power Amplifier", Data sheet, Silicon Laboratories, Jan. 2004, 2 pages.

* cited by examiner

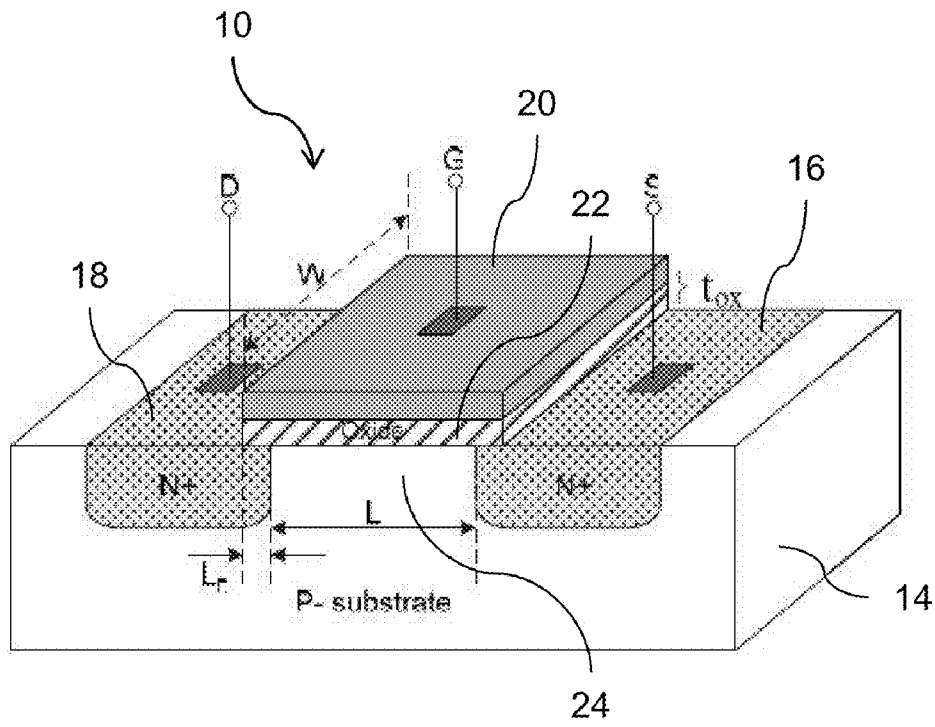


FIG. 1A

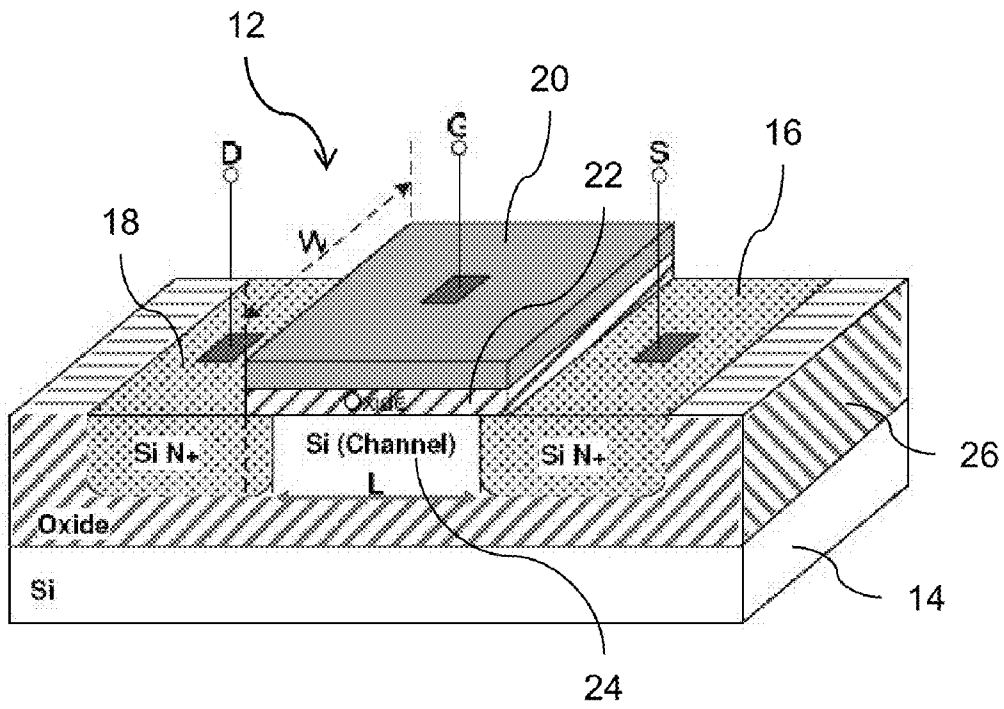


FIG. 1B

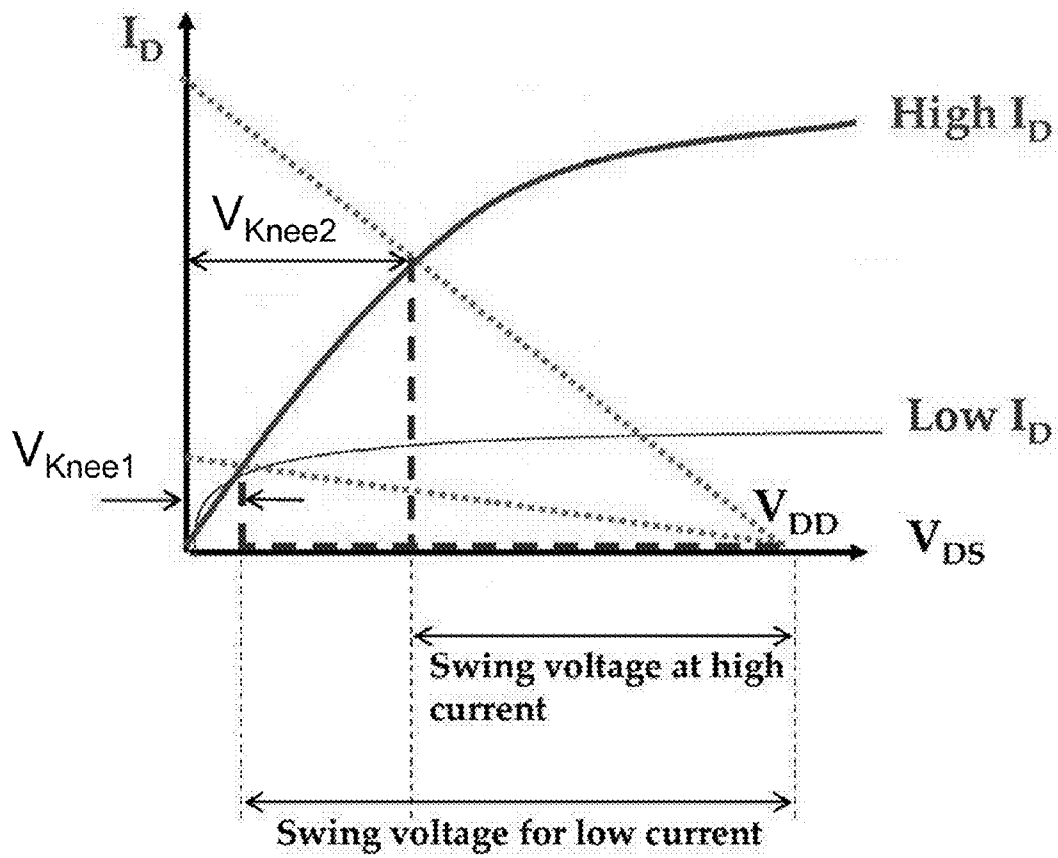


FIG. 2

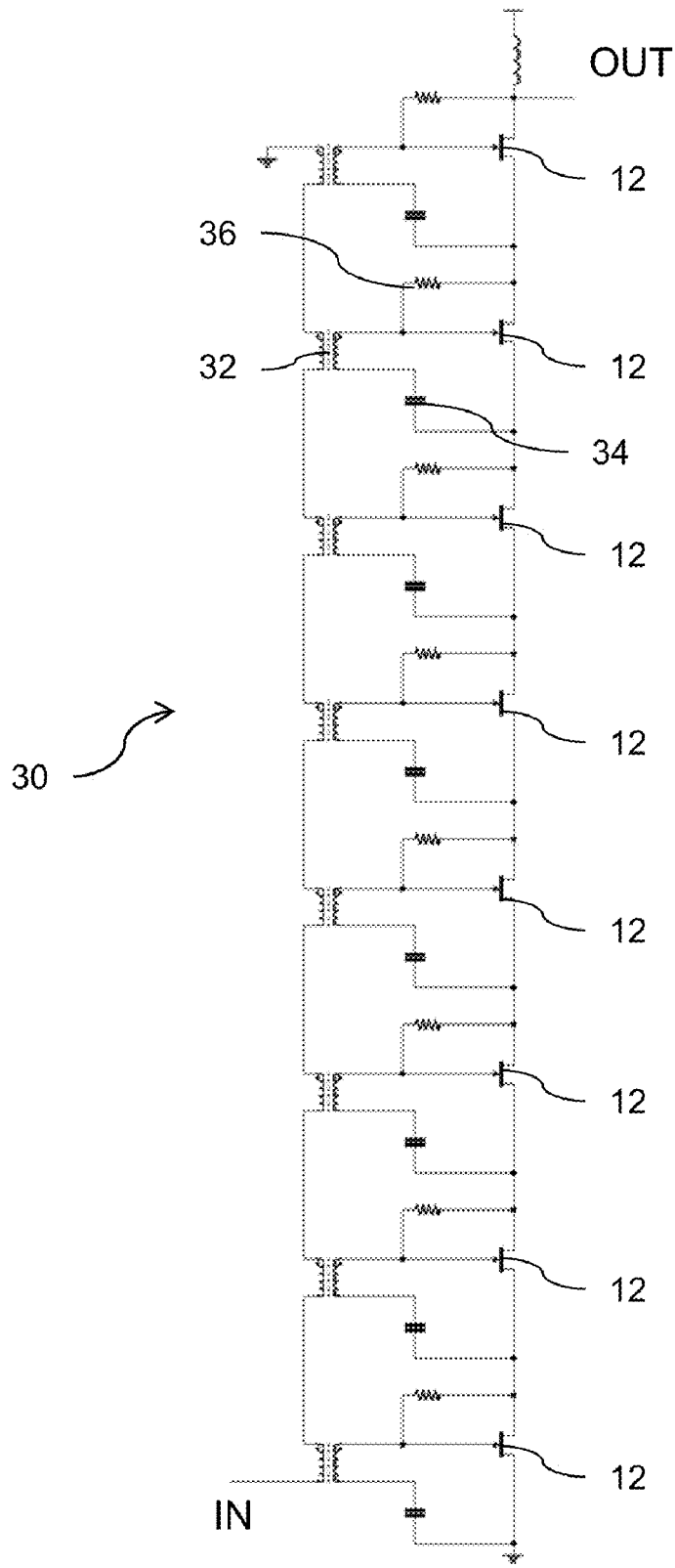


FIG. 3A

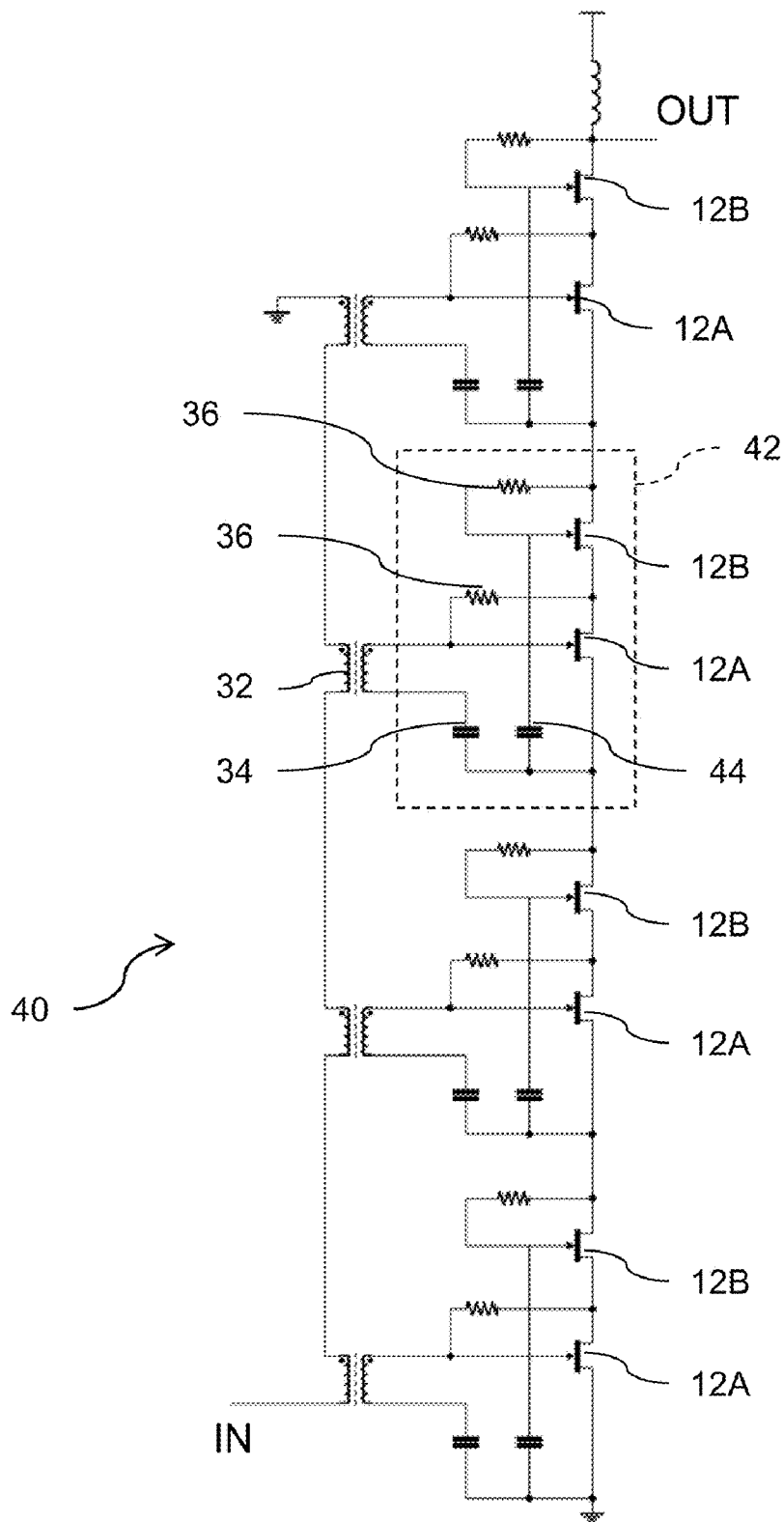


FIG. 3B

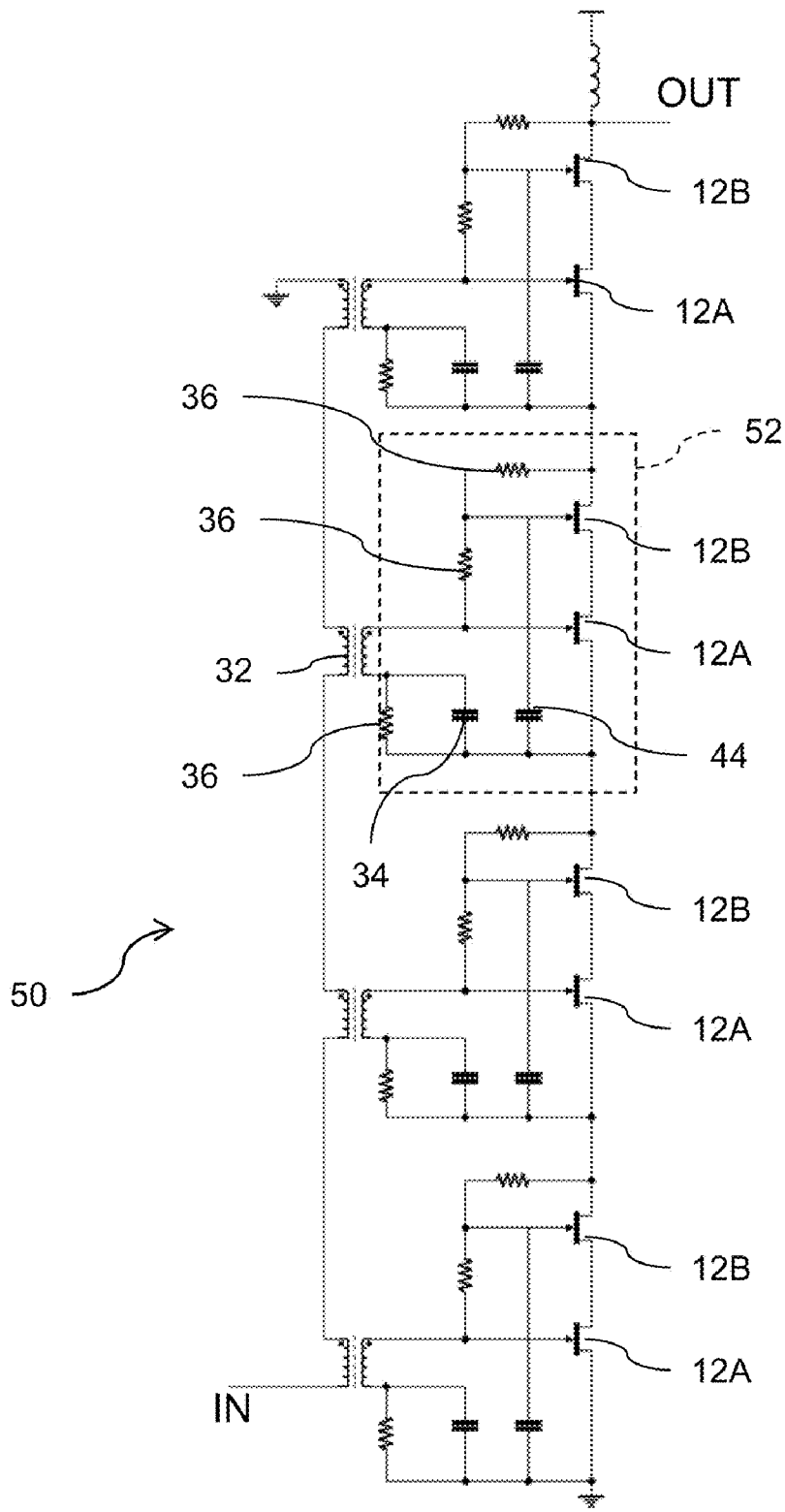


FIG. 3C

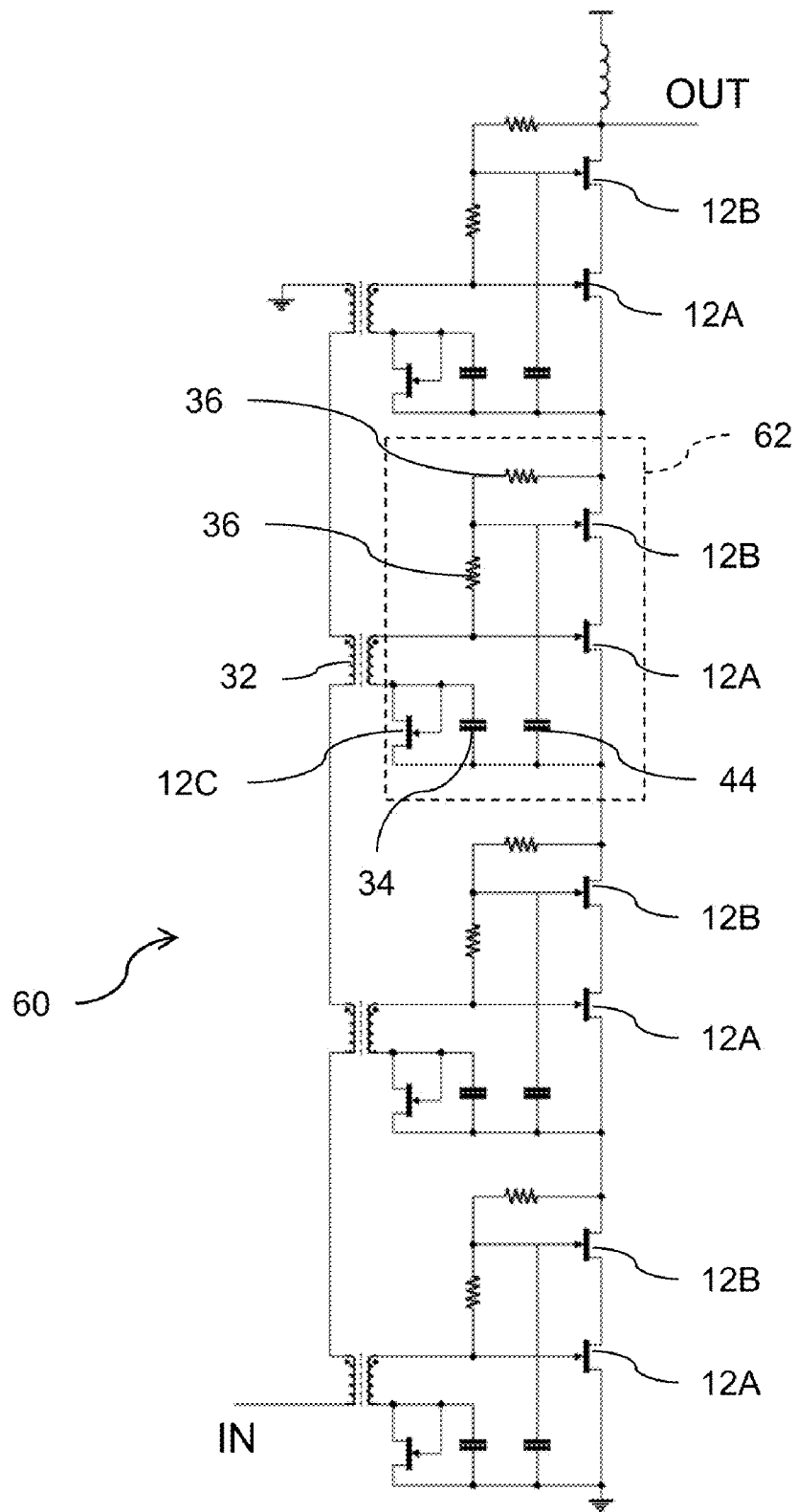


FIG. 3D

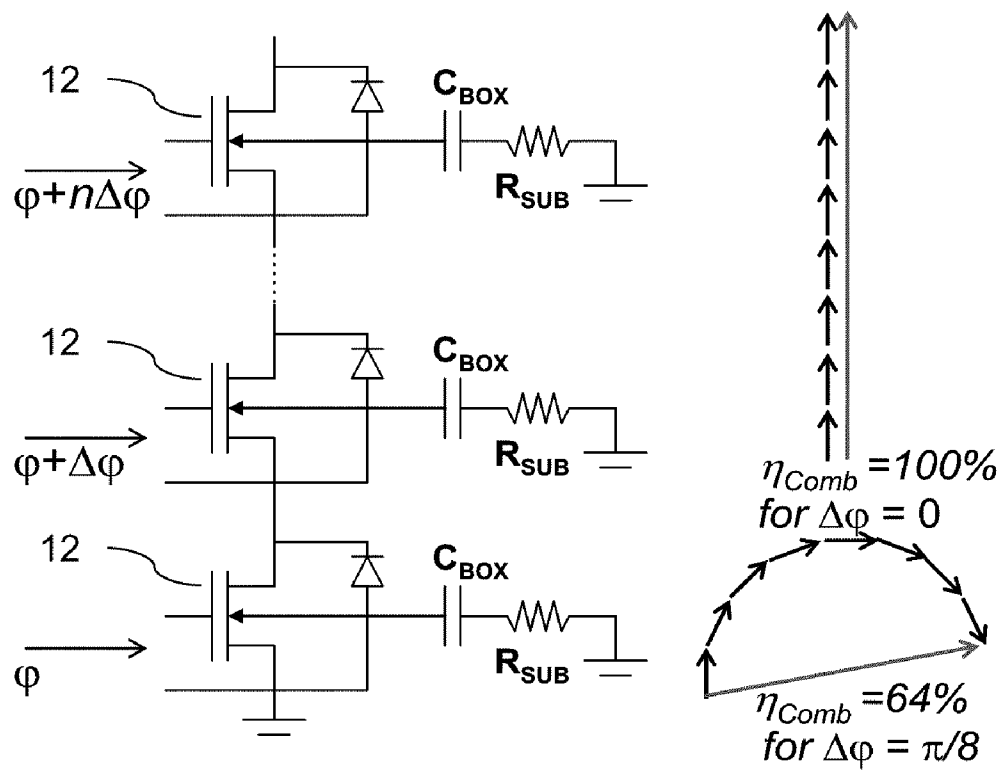


FIG. 4

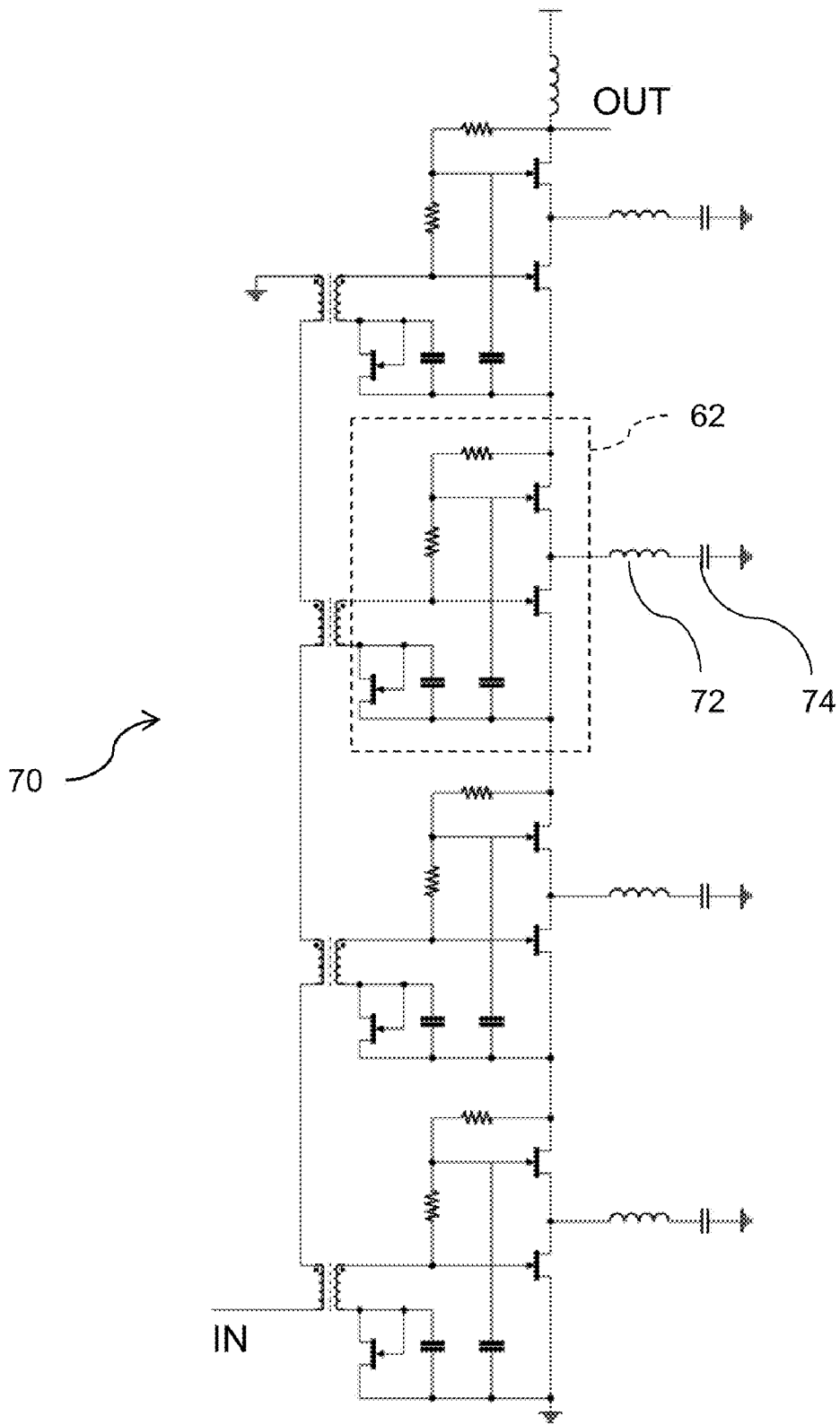


FIG. 5A

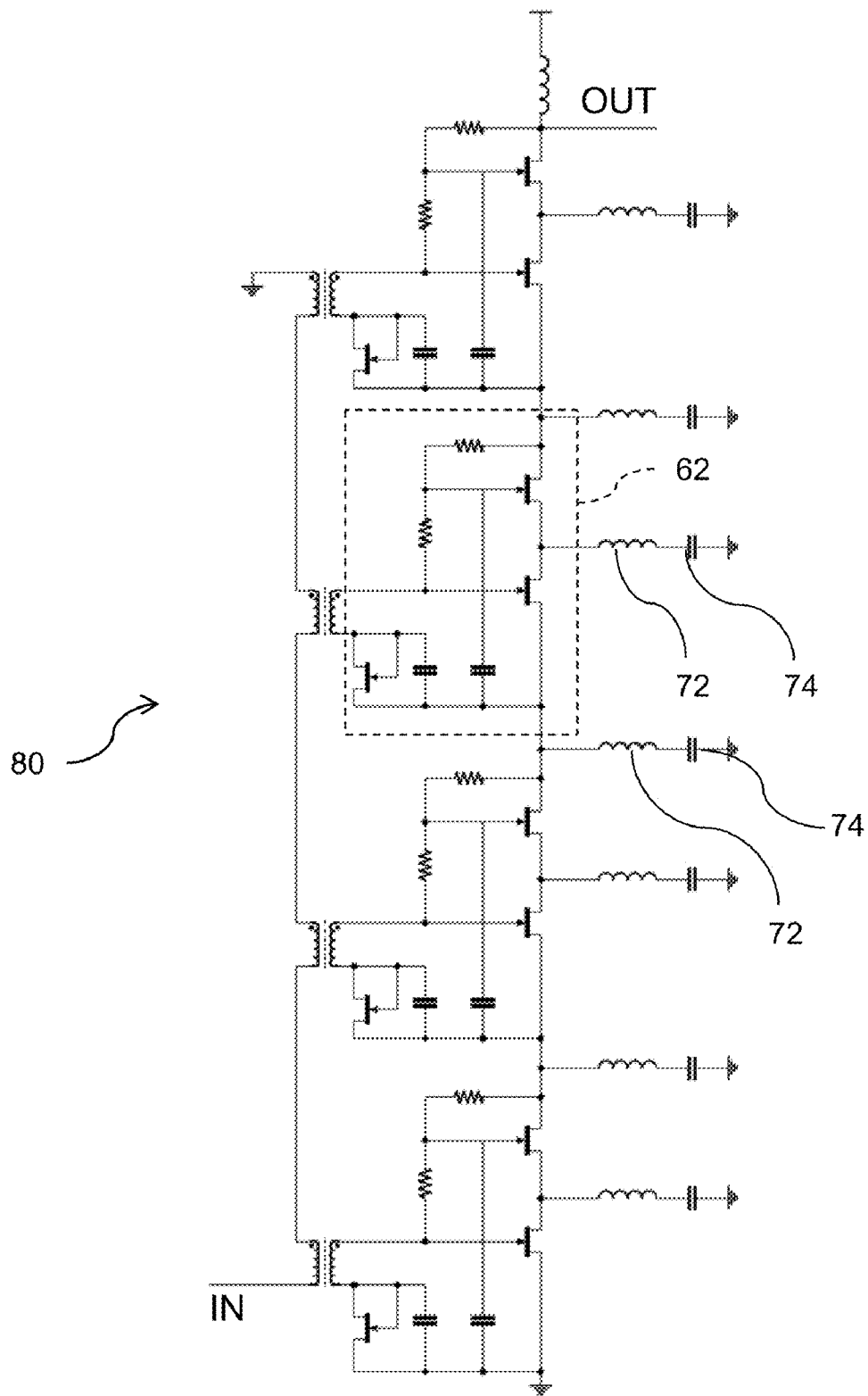


FIG. 5B

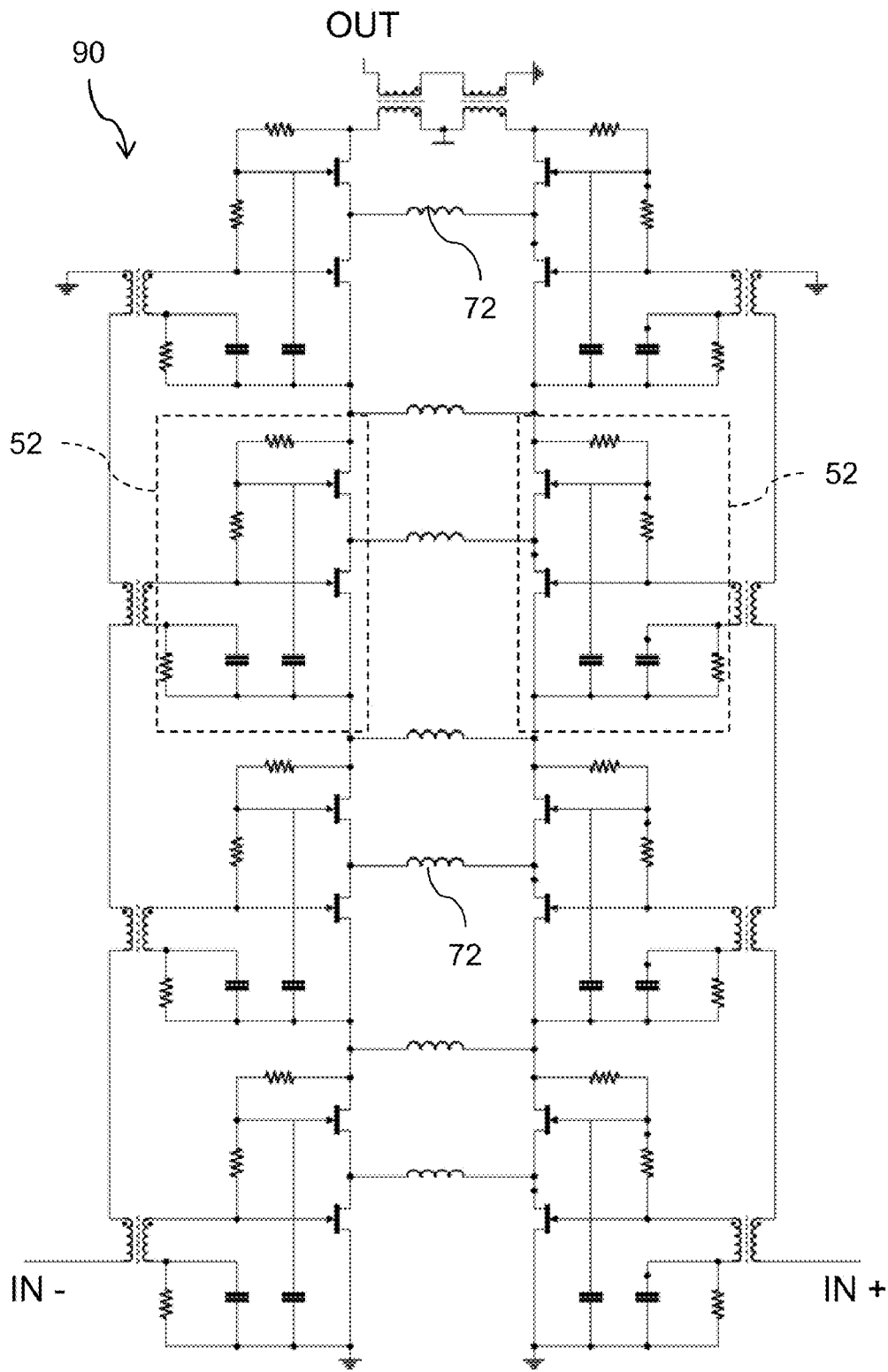


FIG. 6

SILICON-ON-INSULATOR HIGH POWER AMPLIFIERS

CROSS-REFERENCE TO RELATED APPLICATIONS

This application claims priority under 35 U.S.C. §119(e) to U.S. Provisional Patent Application Ser. No. 61/312,288, filed on Mar. 10, 2010, and entitled "Power Amplifiers Using Self-Biased Series Connected Silicon-On-Insulator MOS Transistors," the entire disclosure of which is expressly incorporated herein by reference.

TECHNICAL FIELD

The present disclosure generally relates to radio-frequency (RF), microwave, and millimeter (mm) wave power amplifiers, which may be used in transmitter modules for wireless communication devices and radars, by way of example. More particularly, the present disclosure relates to circuit design topologies in which electrically isolated, complimentary metal-oxide-silicon (CMOS) transistors are stacked in series and biased using unique dynamic biasing approaches.

BACKGROUND

Scaling and other advances in silicon (Si) technology have brought about compact, high-performance SiGe bipolar and CMOS transistors and various RF, microwave, and mm-wave circuits implemented in Si technology. Si is an ideal technology for implementing an entire electronic system, as the various components of the system (e.g., digital, analog, memory, and RF components) can be integrated on a single substrate or chip. One bottleneck for Si-based, single-chip design in many applications is the implementation of a high-performance power amplifier.

While the feasibility of Si-based power amplifiers on a Si substrate has recently been demonstrated, commercially available designs provide relatively low output power and low-efficiency performance ("efficiency" being defined herein as the ratio of RF output power to the direct-current (DC) power dissipated by the circuit). The relatively poor performance of Si-based power amplifiers has been attributed to an inherent trade-off between the speed of a Si transistor and its breakdown voltages. As a result of this trade-off, high-speed Si transistors optimized for RF and microwave applications have relatively low breakdown voltages (e.g., ranging from about 1.2V to several volts). The output swing voltage of a Si power transistor is typically limited by the low breakdown voltage of the transistor, requiring an increase in the output signal current in order to boost the output power. Traditionally, the design of Si-based power amplifiers has been accomplished using wide transistors driven at very high currents. Parallel combinations of large transistors and power-combining architectures have also typically been necessary to boost the output power of the amplifier.

Some power amplifier designs relying on series-stacked transistors have been proposed. For example, J. Jeong et al., "A 20 dBm Linear RF Power Amplifier Using Stacked Silicon-on-Sapphire MOSFETs," 16 IEEE Microwave & Wireless Components Letters 684-686 (2006), the entire disclosure of which is expressly incorporated herein by reference, describes the use of stacked transistors in Silicon-on-Sapphire (SOS) and Silicon-on-Insulator (SOI) technologies to boost the output swing voltage and output impedance. S. Pornpromlikit et al., "A Watt-Level Stacked-FET Linear Power Amplifier in Silicon-on-Insulator CMOS," 58 IEEE

Transactions on Microwave Theory & Techniques 57-64 (2010), the entire disclosure of which is expressly incorporated herein by reference, describes a similar approach. As explained in those references, the gate of each transistor is biased at a fixed voltage, and the voltage swings are therefore limited by the gate oxide breakdown. This limitation prevents stacking more than four transistors and/or applying large bias voltages.

U.S. Pat. No. 6,888,396 to A. Hajimiri et al. (Hajimiri), the entire disclosure of which is expressly incorporated herein by reference, presents several designs for stacking field-effect transistors (FET) and bipolar transistors to construct multi-cascade cells. The majority of the circuit designs described in Hajimiri are fixed gate-bias topologies and suffer from the drawbacks of gate oxide breakdown described above. The design presented in FIG. 9 of Hajimiri utilizes transformer coupling to overcome gate oxide breakdown but does not allow biasing of the gate-source of individual transistors (thus, resulting in low efficiency and precluding use in linear power amplifiers). The circuit design shown in FIG. 7 of Hajimiri, on the other hand, requires diodes that are not readily available in standard bulk and silicon-on-insulator (SOI) CMOS integrated circuit processes (thus, defeating the goal of a single substrate, without resort to a BiCMOS process).

The use of feedback resistors for the self-biasing of stacked FETs and bipolar transistors (in order to boost the output voltage of the amplifier) is described in J. G. McRory et al., "Transformer Coupled Stacked FET Power Amplifiers," 34 IEEE J. Solid-State Circuits 157-161 (1999), M. Lei et al., "Design and Analysis of Stacked Power Amplifier in Series-Input and Series-Output Configuration," 55 IEEE Transactions on Microwave Theory & Techniques 2802-2812 (2007), and U.S. Patent Publication No. 2009/0115529 to S. Chao et al., the entire disclosures of which are each expressly incorporated herein by reference. In theory, this approach protects the stacked structure from both source-drain reach-through and gate oxide breakdown under high voltage swings. In practice, however, introducing feedback resistors results in instability, particularly when the number of stacked transistors increases (thereby increasing the positive feedback signal). Thus, these designs are also limited to a maximum of four stacked transistors for optimum performance.

SUMMARY

The present invention comprises one or more of the features recited in the appended claims and/or the following features which, alone or in any combination, may comprise patentable subject matter:

According to one aspect, a power amplifier may comprise a plurality of amplifier cells each having an input and an output, the plurality of amplifier cells being formed on a semiconductor substrate such that the outputs of the plurality of amplifier cells are electrically coupled in series. Each of the plurality of amplifier cells may comprise a first transistor that is electrically insulated from the semiconductor substrate and a first feedback resistor configured to dynamically bias the first transistor.

In some embodiments, the first transistor may be electrically insulated from the semiconductor substrate by at least one of a buried oxide layer, an oxide trench, and an etched trench. The plurality of amplifier cells may comprise at least five amplifier cells. The power amplifier may further comprise a plurality of transformers, each of the plurality of transformers being configured to couple an input signal to the

input of one of the plurality of amplifier cells. The plurality of transformers may be electrically coupled in series.

In other embodiments, each of the plurality of amplifier cells may further comprise a second transistor that is electrically insulated from the semiconductor substrate. The first and second transistors of each of the plurality of amplifier cells may be configured as a cascode amplifier. Each of the plurality of amplifier cells may further comprise a second feedback resistor configured to dynamically bias the second transistor. Each of the plurality of amplifier cells may further comprise a biasing network that includes the first feedback resistor and that is configured to dynamically bias the first and second transistors. Each of the plurality of amplifier cells may further comprise a diode-connected transistor configured to provide a direct current bias to the second transistor. Each of the plurality of amplifier cells may further comprise an inductor electrically coupled to the first transistor, the inductor being configured to tune out a parasitic capacitance between the first transistor and the semiconductor substrate.

According to another aspect, a power amplifier may comprise a plurality of silicon-on-insulator (SOI) transistors that are electrically coupled in a series stack, wherein an output of the power amplifier is provided across the series stack, and a plurality of biasing networks configured to dynamically bias each SOI transistor. The plurality of SOI transistors may comprise at least five SOI transistors in the series stack.

In some embodiments, the plurality of SOI transistors may be configured as a plurality of cascode amplifier cells, and each of the plurality of biasing networks may be configured to dynamically bias one of the plurality of cascode amplifier cells. Each of the plurality of biasing networks may comprise a first feedback resistor. Each of the plurality of biasing networks may further comprise a second feedback resistor. Each of the plurality of biasing networks may further comprise a diode-connected transistor. The power amplifier may further comprise an inductor and a capacitor electrically coupled in series between a node in the series stack and a ground node. The plurality of SOI transistors may be sized to provide an output impedance of about 50 ohms.

According to yet another aspect, a differential power amplifier may comprise a first stack of series-connected, dynamically biased transistors formed on a silicon-on-insulator substrate; a second stack of series-connected, dynamically biased transistors formed on the silicon-on-insulator substrate; and a plurality of inductors, each of the plurality of inductors coupling a node between a pair of transistors in the first stack to a corresponding node between a pair of transistors in the second stack. In some embodiments, the first stack may comprise a first plurality of cascode amplifier cells, each of the first plurality of cascode amplifier cells including two of the series-connected, dynamically biased transistors in the first stack, and the second stack may comprise a second plurality of cascode amplifier cells, each of the second plurality of cascode amplifier cells including two of the series-connected, dynamically biased transistors in the second stack.

BRIEF DESCRIPTION OF THE DRAWINGS

The detailed description particularly refers to the accompanying figures in which:

FIG. 1A illustrates one embodiment of a bulk CMOS transistor;

FIG. 1B illustrates one embodiment of an electrically isolated SOI CMOS transistor;

FIG. 2 illustrates how biasing individual transistors in a series-connected power amplifier at relatively low or relatively high currents can impact efficiency;

FIG. 3A illustrates one embodiment of a power amplifier including electrically isolated, dynamically biased common-source transistors;

FIG. 3B illustrates one embodiment of a power amplifier including cascode cells with electrically isolated, dynamically biased transistors;

FIG. 3C illustrates another embodiment of a power amplifier including cascode cells with electrically isolated, dynamically biased transistors;

FIG. 3D illustrates yet another embodiment of a power amplifier including cascode cells with electrically isolated, dynamically biased transistors;

FIG. 4 illustrates an equivalent circuit of electrically isolated, dynamically biased transistors;

FIG. 5A illustrates one embodiment of a power amplifier that compensates for phase imbalance;

FIG. 5B illustrates another embodiment of a power amplifier that compensates for phase imbalance; and

FIG. 6 illustrates one embodiment of a differential power amplifier.

DETAILED DESCRIPTION OF THE DRAWINGS

While the concepts of the present disclosure are susceptible to various modifications and alternative forms, specific exemplary embodiments thereof have been shown by way of example in the drawings and will herein be described in detail. It should be understood, however, that there is no intent to limit the concepts of the present disclosure to the particular forms disclosed, but, on the contrary, the intention is to cover all modifications, equivalents, and alternatives falling within the spirit and scope of the invention as defined by the appended claims.

In the following description, numerous specific details, such as types and interrelationships of circuit components, are set forth in order to provide a more thorough understanding of the present disclosure. It will be appreciated, however, by one skilled in the art that embodiments of the disclosure may be practiced without such specific details. In other instances, various circuit components have not been shown in detail (or not labeled in every instance) in order not to obscure the invention. Those of ordinary skill in the art, with the included descriptions, will be able to implement appropriate functionality without undue experimentation.

References in the specification to “one embodiment,” “an embodiment,” “an illustrative embodiment,” etcetera, indicate that at least one embodiment described may include a particular feature, structure, or characteristic, but not every embodiment necessarily includes the particular feature, structure, or characteristic. Moreover, such phrases are not necessarily referring to the same embodiment. Further, when a particular feature, structure, or characteristic is described in connection with an embodiment, it is submitted that it is within the knowledge of one skilled in the art to effect such feature, structure, or characteristic in connection with other embodiments whether or not explicitly described.

Exemplary CMOS transistors **10**, **12** are illustrated in FIGS. **1A** and **1B**, each generally including a body **14**, a source region **16**, a drain region **18**, a gate **20**, a gate oxide **22**, and a channel region **24**. Like reference numerals are used to identify similar components between FIG. **1A**, **1B**, and all other figures in the present disclosure. The transistor **10** (shown in FIG. **1A**) is fabricated using a bulk CMOS process in which the source and drain regions **16**, **18** are formed in

electrical contact with the body **14**. By contrast, the transistor **12** (in FIG. 1B) is fabricated using a silicon-on-insulator (SOI) CMOS process in which the source and drain regions **16, 18** are formed on a very thin Si layer isolated from the bulk Si body **14** by a buried oxide (BOX) layer **26**. Additionally or alternatively, oxide trenches may be formed around each transistor **12** to achieve electrical isolation from one another. As a result of the BOX layer **26** (and/or the oxide trenches), the transistor **12** is electrically isolated not only from the body **14** but also from any neighboring devices (i.e., other transistors **12**). It is contemplated that, in other embodiments, the electrical isolation of transistor **12** may be achieved through trench isolation (which may be implemented as a post-processing step) or other appropriate processes.

Generally, in CMOS technology, the length (L) of the transistor channel **24** and the thickness (t_{OX}) of the gate oxide **22** are scaled down to improve the transconductance and the speed of the transistors **10, 12**, while reducing parasitic capacitances. Such scaling, however, has the adverse effect of reductions in the breakdown voltage (BV_{OX}) of gate oxide **22** and in the source-drain reach-through voltage (BV_{DS}). The additional two voltage limitations in the bulk CMOS transistor **10** are the reverse junction breakdown voltage (BV_j), which sets a limit on both the source-body voltage (BV_{jS-B}) and the drain-body voltage (BV_{jD-B}), and the forward-bias drain-body voltage (V_{jFWD}), which sets a limit on the negative voltage that can be applied to either the drain region **18** or the source region **16** with respect to the body **14**. For standard, digital CMOS technology, the two dominant breakdown mechanisms are BV_{OX} and BV_{DS} (which are often optimized to be similar to one another), while BV_j and V_{jFWD} are, to the first degree, not affected by scaling. A standard 0.25 μm bulk CMOS process may produce an illustrative transistor **10** with $BV_{OX}=2.7\text{V}$, $BV_{DS}=3.0\text{V}$, $BV_j=10.5\text{V}$, and $V_{jFWD}=-1\text{V}$.

When attempting to use bulk CMOS technology under a high voltage swing, several transistors **10** may be stacked in series. While this approach overcomes the small source-drain reach-through voltage for each CMOS transistor, it fails to improve power performance, as other breakdown mechanisms (e.g., BV_j), continue to limit the maximum drain voltage of the transistor **10**. Due to the insulating nature of the BOX layer **26** (or the other isolation techniques described above), however, the SOI CMOS transistor **12** does not suffer from low BV_j and V_{jFWD} . Thus, any number of electrically isolated transistors **12** may be stacked in series without practical limitation (for instance, up to the breakdown voltage of the BOX layer **26**).

According to the present disclosure, electrically isolated transistors **12** (such as the SOI CMOS transistor **12**, by way of illustrative example) are stacked in series using a unique topology that not only prevents premature gate oxide breakdown but also results in stable operation. As described herein, a relatively large number of stacked transistors **12** may be individually biased with dynamic biasing techniques to better isolate the input and output of the stacked amplifier circuit and, thus, prevent the amplifier from self-oscillation. These dynamic biasing techniques protect against premature gate oxide breakdown of the individual transistors **12** in the stack when large voltage swings are applied across the series combination. The number of transistors **12** that can be stacked is limited primarily by the BOX layer **26** breakdown voltage, which is typically between about 80V to about 300V. For a given output power, an increase in the output swing voltage of a stack with a large number of transistors facilitates a reduction in the signal current of each transistor. Utilizing oversized transistors **12** with relatively small currents improves the efficiency of the amplifier.

These principles may be best understood with reference to FIG. 2. As shown therein, a relatively small current (Low I_D) flowing in a transistor results in a relatively small knee voltage (V_{Knee1}). When the same transistor is driven at a relatively large current (High I_D), the knee voltage (V_{Knee2}) increases substantially, resulting in a smaller output voltage swing. The maximum power added efficiency (PAE) of a single transistor is limited to $\eta_{Knee}=[V_{MAX}-V_{Knee}]/V_{MAX}]^2$, where V_{MAX} is the maximum voltage swing (typically, close to the breakdown voltage of the transistor). The breakdown voltage of GaAs and GaN transistors are often very high compared to their knee voltages, resulting in η_{Knee} ratios approaching unity, and GaAs and GaN power amplifiers often achieve high PAEs.

Si-based transistors operating at high currents, on the other hand, are limited by their relatively small breakdown voltages and typically demonstrate η_{Knee} ratios on the order of about 50% to about 90%. More advanced Si technologies often provide even lower η_{Knee} ratios for power transistors, due to the inherent tradeoff between the breakdown voltage and the speed of a transistor. Thus, for advanced Si technologies, the only possibility to improve the η_{Knee} ratio (e.g., to about 90%) is to drive a relatively large transistor at a relatively small drain current. As described herein, the stacking of SOI CMOS transistors **12** can be used to increase the overall output swing voltage and keep the output power relatively high.

In addition, the series stacking of transistors **12** may substantially reduce, or even eliminate, another PAE limiting mechanism: the power transfer ratio of impedance transformers ($\eta_{Transformer}$). The power transfer ratio of an impedance transformer depends on the losses of passive components and transmission lines and is typically in the range of about 50% to about 90%. In some embodiments, the use of a stacked transistor topology in SOI technology allows the elimination of impedance transformers all together. Instead, the overall impedance of the stack (i.e., the output impedances of the stacked transistors **12** added together) may be adjusted to 50 Ω at the frequency of interest by optimizing the size and the number of transistors in the stack. By contrast, a 50 Ω impedance environment cannot be achieved by designs based on parallel combination of transistors (due to their large effective capacitance), bringing down the equivalent impedance of the power amplifier at high frequencies and necessitating the use of an impedance transformer.

Now referring to FIG. 3A, one illustrative embodiment of a power amplifier **30** includes eight dynamically biased, series stacked SOI CMOS transistors **12**. In this embodiment, a transformer **32** couples the input signal to the gate of each stacked transistor **12**. In other words, each stacked transistor **12** acts as an amplifier cell in the power amplifier **30**. Although the power amplifier **30** shown in FIG. 3A uses a series-in configuration, it is also contemplated that other embodiments of the power amplifier may utilize parallel-in or a combination series-in/parallel-in configurations. Each of the stacked transistors **12** in the power amplifier **30** is arranged in a common-source configuration, with a capacitor **34** providing an AC ground with respect to the source of the transistor **12** at the end of the secondary winding of the transformer **32** that is not connected to the gate of the transistor **12**. In this embodiment, each transistor **12** is dynamically biased by a feedback resistor **36**.

It will be appreciated that the embodiment of power amplifier **30** in FIG. 3A requires a number of transformers **32** that is equal to the number of stacked transistors **12**. This large number of required transformers **32** may make the design bulky and unattractive. Additionally, this embodiment is more prone to instability due to the feedback resistors **36** used

for dynamic biasing. FIG. 3B shows another illustrative embodiment of a power amplifier 40 that uses a number of stacked cascode amplifier cells 42 (instead of a common-source configuration for each transistor 12) to overcome these drawbacks. As can be seen in FIG. 3B, the power amplifier 40 uses half the number of transformers 32 of the power amplifier 30. As transformers formed on a Si substrate are often lossy, this embodiment provides higher gain and efficiency.

Each of the stacked cascode amplifier cells 42 of the power amplifier 40 includes two of the series stacked transistors 12A, 12B, each of which is dynamically biased by a feedback resistor 36. A capacitor 34 provides an AC ground with respect to the source of the transistor 12A at the end of the secondary winding of the transformer 32 that is not connected to the gate of the transistor 12A. A capacitor 44 provides an AC ground with respect to the source of transistor 12A at the gate of transistor 12B. FIG. 3C shows yet another illustrative embodiment of a power amplifier 50 that uses a number of stacked cascode amplifier cells 52 with a different dynamic biasing scheme. In this embodiment, instead of tapping the drain of each transistor 12A, 12B, only the drains of the common-gate transistors 12B are tapped with a network of feedback resistors 36 to provide dynamic biasing.

As shown in FIG. 3D, another illustrative embodiment of a power amplifier 60 may employ a number of stacked cascode amplifier cells 62 with yet another dynamic biasing scheme. In the cascode amplifier cells 62, a diode-connected transistor 12C provides DC biasing for the common-source transistor 12A. It is contemplated that, in some embodiments, transistor 12C may be a series stack of diode-connected transistors, depending on the bias voltage required at the gate of transistor 12A. Like the cascode amplifier cell 52 shown in FIG. 3C, only the drain terminals of common-gate transistors 12B of the cascode amplifier cells 62 are tapped to provide dynamic biasing (through a network of resistors 36 and the transistor 12C).

The use of dynamically biased, stacked SOI CMOS transistors 12 presents the additional challenge of ensuring that the output signals of the various amplifier cells are added together constructively. FIG. 4 depicts a simple equivalent circuit of the stacked transistors 12. As the transistors 12 are stacked on top of one another, the phase of the signals seen at the input of each transistor 12 should ideally be identical. In reality, because each transistor 12 has a parasitic capacitance to ground (C_{BOX}), the impedance seen at the input of each transistor 12 varies. As a result, the phases of the signal seen at the inputs of the transistors 12—which translate to the phase of signals added together at the output of the power amplifier—are not the same, and these signals do not add constructively. The right side of FIG. 4 illustrates the combining efficiencies for two different cases. When all phases are in sync and add constructively, the combining efficiency is 100%. When a phase difference exists among the stacked transistors 12 (illustrated as a constant phase difference of $\pi/8$ in FIG. 4), however, the combining efficiency drops to 64%. The combining efficiency sets an upper limit for the maximum PAE that can be achieved by a power amplifier. In addition, a phase imbalance may also result in the reduction of the output power for the same input power applied to the amplifier. While the phase difference is illustrated as constant in FIG. 4, the phase difference actually increases rather quadratically with the number of transistors 12. The issue of phase imbalance is another reason (in addition to the problem of breakdown voltages) that power amplifiers having more than four series stacked transistors have previously been unsuccessful.

The illustrative embodiments of the power amplifiers 70, 80 shown in FIGS. 5A-B address this issue of phase imbalance in several ways. Although these modifications are illustrated based on the embodiment of power amplifier 60 (of FIG. 3D), it should be appreciated that a similar implementation could be applied to any of the other embodiments disclosed herein. The design of power amplifier 60 works well for lower frequencies and small transistor sizes, with small parasitic capacitances that result in small phase differences among the transistors 12. At higher frequencies and/or with larger transistors (required to achieve high output powers), parasitic capacitances at the common node of the transistors 12A, 12B in each cascode amplifier cell 62 introduce phase imbalance.

As shown in FIG. 5A, power amplifier 70 incorporates parallel inductors 72 to tune out these parasitic capacitances. An additional capacitor 74 (having a large capacitance with large breakdown voltage) may be added in series with each inductor 72 to maintain the DC bias, so as that the RF performance of the circuit is not affected. The inductors 72 tune out the parasitic capacitances and, thus, balance the phase among the transistors 12. As shown in FIG. 5B, power amplifier 70 incorporates parallel inductors 72 (with series capacitors 74) at every internal node of the stacked transistors 12. Alternatively, in other embodiments, a transmission line network may be used in place of the inductor 72 and the capacitor 74. Another design consideration to balance the phase of the stacked transistors 12 is to provide the input signal and obtain the output signal at the opposite ends of the stack (as shown in FIGS. 3A-D and 5A-B). By feeding the stack at the bottom, phase delays due to physical length of input transformers 32 are (at least somewhat) compensated by phase delays due to physical distance among the output nodes.

One limitation of the embodiments shown in FIGS. 5A-B is the need for capacitors 74 with large capacitances and large breakdown voltage (especially the capacitor 74 that is connected to the top transistor 12 in the stack, which is subjected to the highest swing voltage). Such capacitors can be difficult to implement in Si-based technologies. Another illustrative embodiment of a power amplifiers 90, shown in FIG. 6, is configured as a differential power amplifier (based on the embodiment of power amplifier 50 of FIG. 3C). In this embodiment, the inductors 72 extend between corresponding nodes on opposite sides of the differential power amplifier 90. The power amplifier 90 eliminates the use of high voltage capacitors 74. Once again, it should be appreciated that such a differential design could be applied to any of the embodiments disclosed herein.

While most of the drawings of the present disclosure illustrate power amplifiers comprising eight stacked transistors 12, it is contemplated that any number of stacked transistors may be used in practice (for example, between about two and about eighty transistors 12). As previously mentioned, the only limit in stacking the transistors is the breakdown voltage of the BOX layer 26, which should remain greater than the overall swing voltage of the amplifier. Those of skill in the art will recognize that increasing the thickness of the BOX layer 26 will allow more transistors to be stacked. In other embodiments, the backside Si substrate (i.e., body 14) may be partially removed using deep reactive ion etching (DRIE) at locations where RF transistors with high voltage exist.

The illustrative designs of power amplifiers 30, 40, 50, 60, 70, 80, 90 disclosed herein may be applied to the design of power amplifiers in a wide range of frequencies from RF to mm-wave range. The size and number of transistors 12 are among some of the parameters that may be optimized for particular applications. Illustrative embodiments designed

for cellular applications (W-CDMA and GSM) have shown excellent performance with output power in Watt levels and efficiencies above 40%. Even when the operational frequency was pushed to the K-band (e.g., 35 GHz), high output power (close to 1 W) and high efficiency (close to 40%) were achieved.

While the disclosure has been illustrated and described in detail in the drawings and foregoing description, such an illustration and description is to be considered as exemplary and not restrictive in character, it being understood that only illustrative embodiments have been shown and described and that all changes and modifications that come within the spirit of the disclosure are desired to be protected. There are a plurality of advantages of the present disclosure arising from the various features of the apparatus, systems, and methods described herein. It will be noted that alternative embodiments of the apparatus, systems, and methods of the present disclosure may not include all of the features described yet still benefit from at least some of the advantages of such features. Those of ordinary skill in the art may readily devise their own implementations of the apparatus, systems, and methods that incorporate one or more of the features of the present invention and fall within the spirit and scope of the present disclosure as defined by the appended claims.

The invention claimed is:

1. A power amplifier comprising:
 - a plurality of amplifier cells each having an input and an output, the plurality of amplifier cells being formed on a semiconductor substrate such that the outputs of the plurality of amplifier cells are electrically coupled in series, wherein each of the plurality of amplifier cells comprises:
 - a first transistor that is electrically insulated from the semiconductor substrate;
 - a first feedback resistor configured to dynamically bias the first transistor; and
 - a second transistor that is electrically insulated from the semiconductor substrate, the first and second transistors of each of the plurality of amplifier cells being configured as a cascode amplifier; and
 - wherein the first transistor of each of the plurality of amplifier cells is arranged in a common-source configuration and the second transistor of each of the plurality of amplifier cells is arranged in a common-gate configuration.
2. The power amplifier of claim 1, wherein the first transistor is electrically insulated from the semiconductor substrate by at least one of a buried oxide layer, an oxide trench, and an etched trench.
3. The power amplifier of claim 1, wherein the plurality of amplifier cells comprises at least five amplifier cells.
4. The power amplifier of claim 1, further comprising a plurality of transformers, each of the plurality of transformers being configured to couple an input signal to the input of one of the plurality of amplifier cells.

5. The power amplifier of claim 4, wherein the plurality of transformers are electrically coupled in series.

6. The power amplifier of claim 1, wherein each of the plurality of amplifier cells further comprises a second feedback resistor configured to dynamically bias the second transistor.

7. The power amplifier of claim 1, wherein each of the plurality of amplifier cells further comprises a biasing network that includes the first feedback resistor and that is configured to dynamically bias the first and second transistors.

8. The power amplifier of claim 7, wherein each of the plurality of amplifier cells further comprises a diode-connected transistor configured to provide a direct current bias to the first transistor.

9. The power amplifier of claim 1, wherein each of the plurality of amplifier cells further comprises an inductor electrically coupled to the first transistor, the inductor being configured to tune out a parasitic capacitance between the first transistor and the semiconductor substrate.

10. The power amplifier of claim 1, wherein the first and second transistors of each of the plurality of amplifier cells comprise silicon-on-insulator transistors.

11. The power amplifier of claim 1, wherein the first feedback resistor of each of the plurality of amplifier cells is electrically coupled between a drain terminal and a gate terminal of the first transistor.

12. The power amplifier of claim 6, wherein:

- the first feedback resistor of each of the plurality of amplifier cells is electrically coupled between a drain terminal and a gate terminal of the first transistor; and
- the second feedback resistor of each of the plurality of amplifier cells is electrically coupled between a drain terminal and a gate terminal of the second transistor.

13. The power amplifier of claim 7, wherein:

- the biasing network of each of the plurality of amplifier cells further includes a second feedback resistor that is electrically coupled between a drain terminal and a gate terminal of the second transistor; and
- the first feedback resistor of the biasing network of each of the plurality of amplifier cells is electrically coupled between a gate terminal of the first transistor and the gate terminal of the second transistor.

14. The power amplifier of claim 13, wherein the biasing network of each of the plurality of amplifier cells further includes a diode-connected transistor configured to provide a direct current bias to the first transistor.

15. The power amplifier of claim 9, wherein each of the plurality of amplifier cells further comprises a capacitor electrically coupled in series with the inductor between the first transistor and a ground node.

16. The power amplifier of claim 1, wherein the outputs of the plurality of amplifier cells that are electrically coupled in series provide an overall output impedance of about 50 ohms.

* * * * *