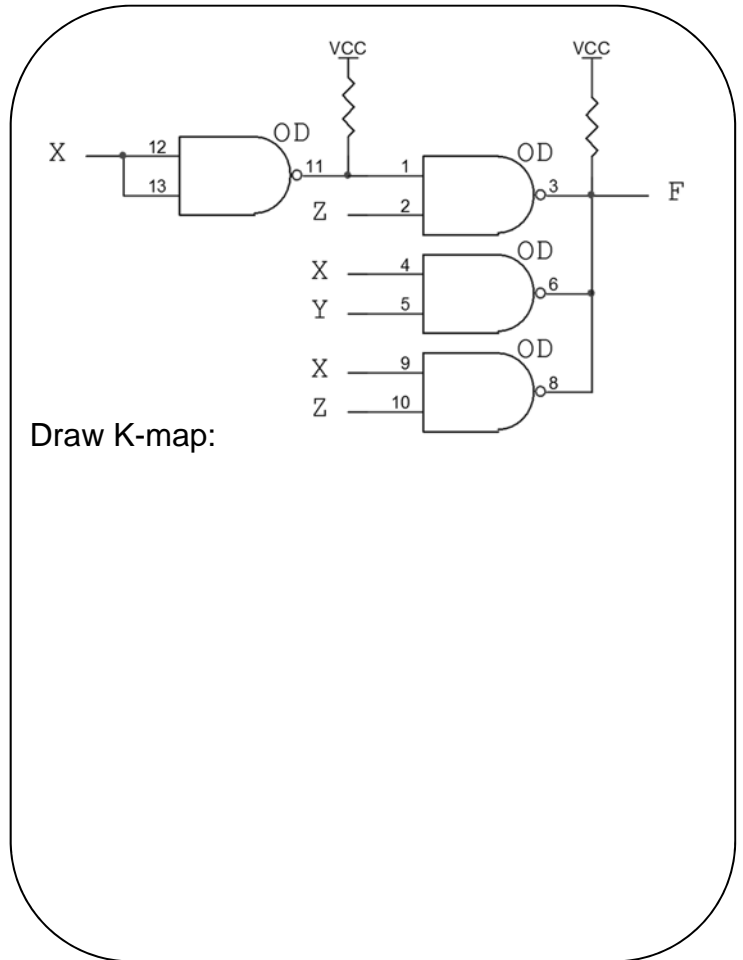


Practice Quiz 6

Closed Book and Notes – No Calculators Allowed

- The **ON-SET** of the function realized by this circuit is:
 - $\sum_{X,Y,Z}(0,2,4)$
 - $\sum_{X,Y,Z}(3,5,7)$
 - $\sum_{X,Y,Z}(1,3,5,6,7)$
 - $\sum_{X,Y,Z}(0,1,2,4,6)$
 - none of the above
- Expressed in minimum **sum-of-products** form, the function realized by this circuit is:
 - $X \cdot Y + X \cdot Z + X' \cdot Z$
 - $X' \cdot Z' + Y' \cdot Z'$
 - $Y \cdot Z' + Y' \cdot Z' + X' \cdot Y'$
 - $Z + X \cdot Y$
 - none of the above
- Expressed in minimum **product-of-sums** form, the function realized by this circuit is:
 - $(X+Z) \cdot (Y+Z)$
 - $(X'+Y') \cdot (X+Y) \cdot (Y+Z')$
 - $Z' \cdot (X'+Y')$
 - $(X'+Z') \cdot (Y'+Z')$
 - none of the above



- The circuit shown exhibits the **following type of hazard** when its input, X, transitions from **low-to-high**:
 - a static-zero hazard
 - a static-one hazard
 - a dynamic hazard
 - a minterm hazard
 - none of the above
- The circuit shown exhibits the **following type of hazard** when its input, X, transitions from **high-to-low**:
 - a static-zero hazard
 - a static-one hazard
 - a dynamic hazard
 - a minterm hazard
 - none of the above

