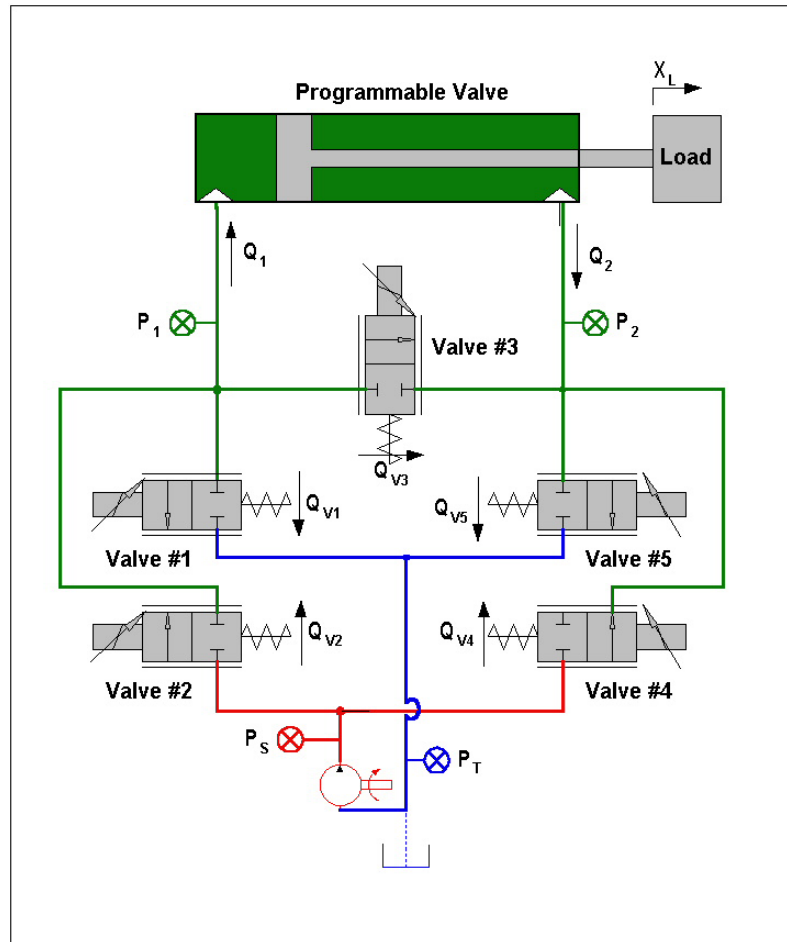


Energy Saving Programmable Valves



Purdue Energy Saving Programmable Valves

Developed by:
Bin Yao, 2000

- Take advantages of four valve configuration to control meter-in/meter-out flows independently for precise cylinder positioning
- Using an additional valve to precisely control cross-port flow (or regenerative flow) for energy saving



Purdue Programmable Valves

