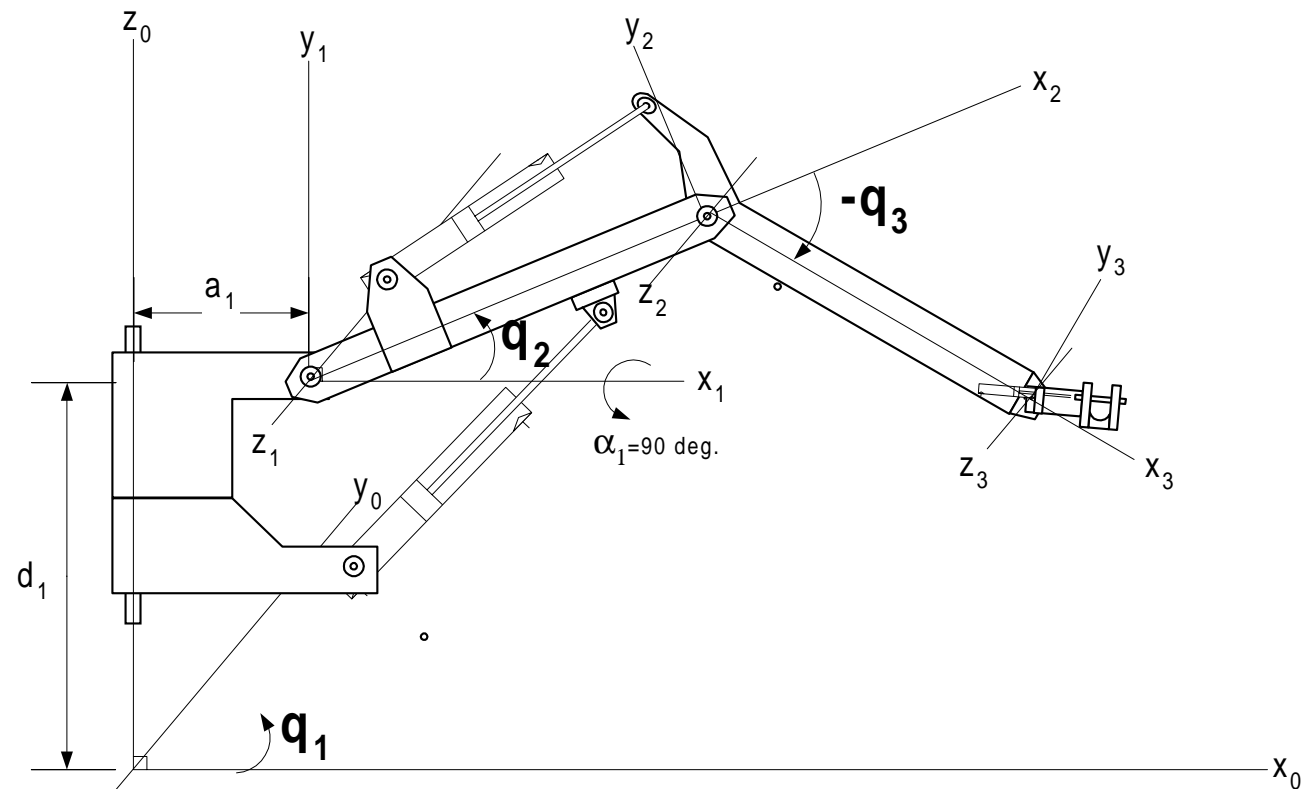


# Motion Control of Hydraulic Arm

---



# Coordinate Systems of Hydraulic Arm



# Experiment with Higher-Speed/50lb-Load

---

