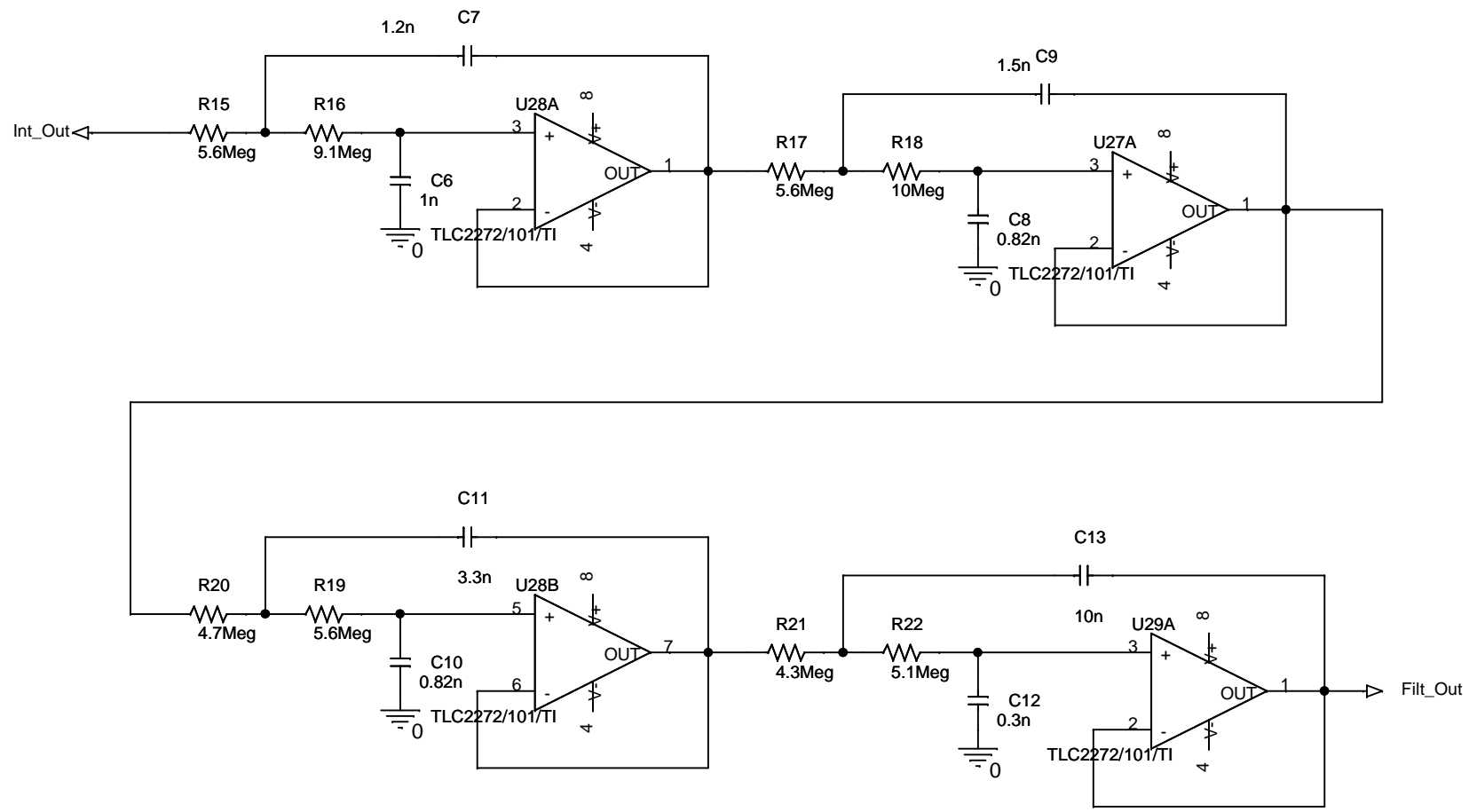
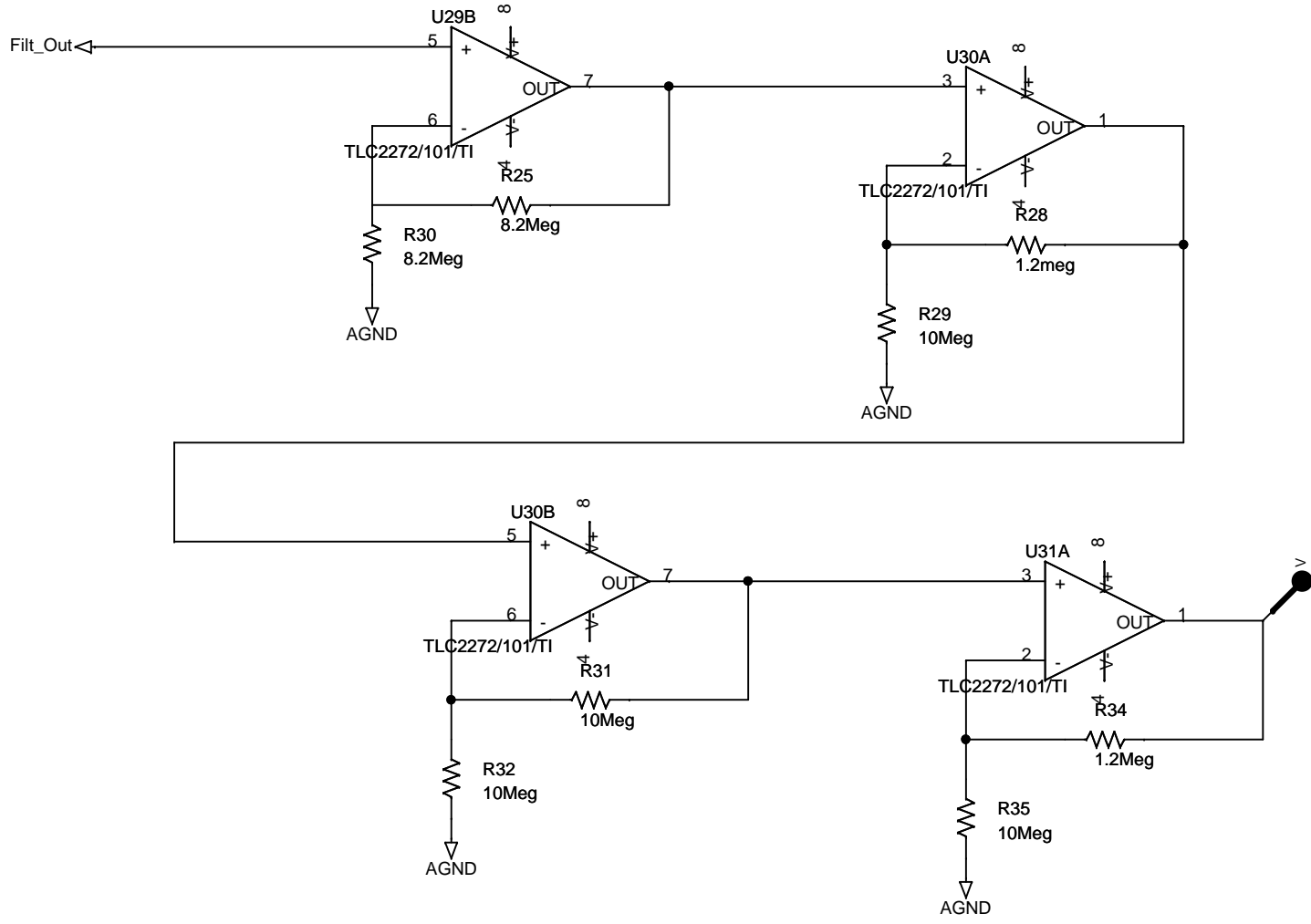


Title		
<Title>		
Size	Document Number	Rev
A	<Doc>	<Rev Co
Date:	Monday, December 10, 2012	Sheet 1 of 1



Title		
<Title>		
Size	Document Number	Rev
A	<Doc>	<Rev Co
Date:	Friday, November 16, 2012	Sheet 1 of 1



Title		
<Title>		
Size	Document Number	Rev
A	<Doc>	<Rev Co
Date:	Saturday, December 01, 2012	Sheet 1 of 1