

6

5

4

3

2

1

| REVISION RECORD | | | |
|-----------------|---------|-----------|-------|
| LTR | ECO NO: | APPROVED: | DATE: |
| | | | |
| | | | |
| | | | |

D

D

C

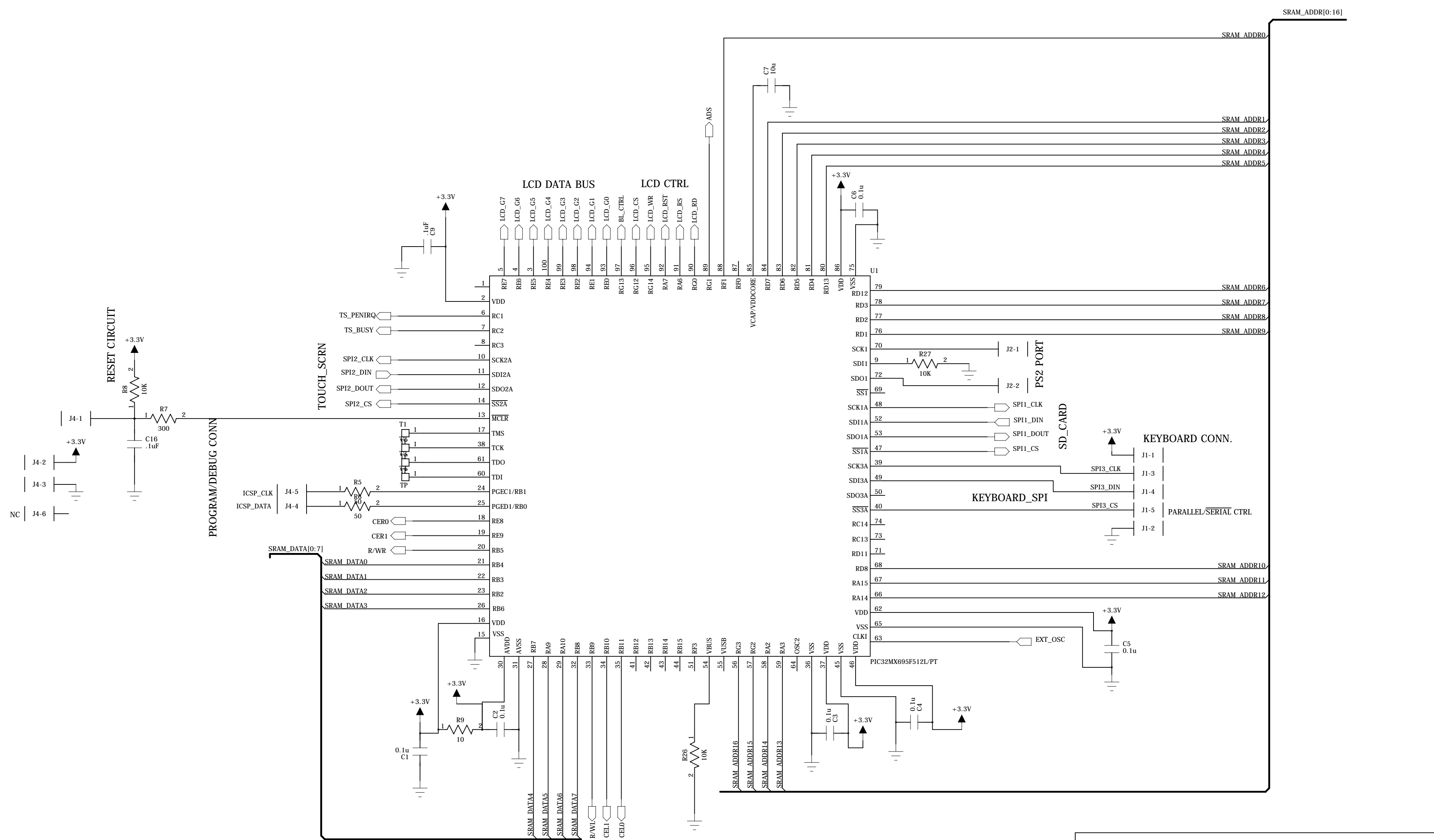
C

B

B

A

A



COMPANY: **TEAM 9**

TITLE: **MAINBOARD**

| | |
|-----------------------------|--------------------------|
| DRAWN: <Drawn By> | DATED: <Drawn Date> |
| CHECKED: <Checked By> | DATED: <Checked Date> |
| QUALITY CONTROL: <QC By> | DATED: <QC Date> |
| RELEASED: <Released By> | DATED: <Release Date> |

| | | | |
|----------------|-------|---------------|------|
| CODE: | SIZE: | DRAWING NO: | REV: |
| <Code> | C | 1 | 1 |
| SCALE: <Scale> | | SHEET: 1 of 5 | |

6

5

4

3

2

1

| REVISION RECORD | | | |
|-----------------|---------|-----------|-------|
| LTR | ECO NO: | APPROVED: | DATE: |
| | | | |
| | | | |
| | | | |

D

D

C

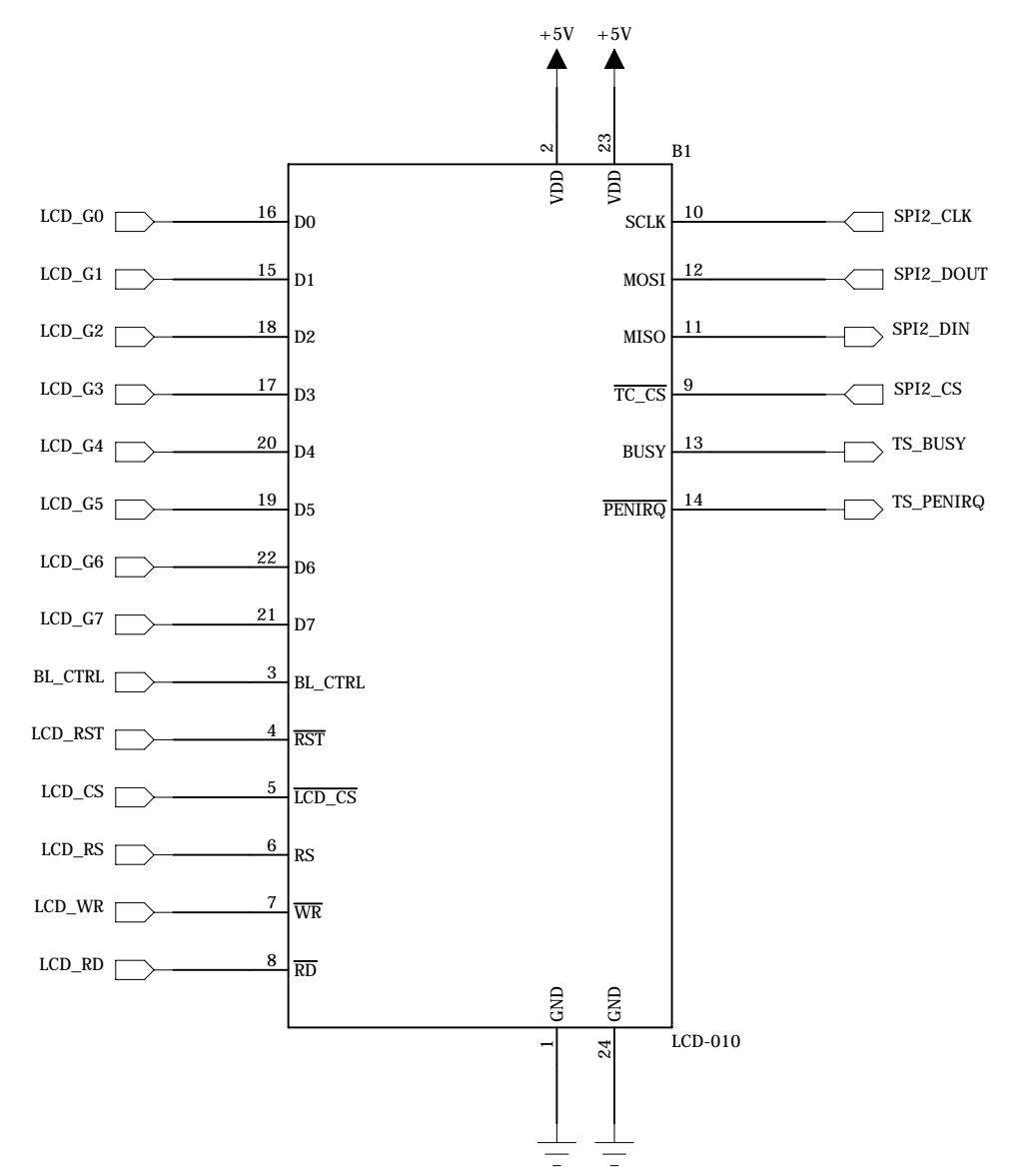
C

B

B

A

A



COMPANY: **TEAM 9**

TITLE: **MAINBOARD**

| | |
|-----------------------------|--------------------------|
| DRAWN: <Drawn By> | DATED: <Drawn Date> |
| CHECKED: <Checked By> | DATED: <Checked Date> |
| QUALITY CONTROL: <QC By> | DATED: <QC Date> |
| RELEASED: <Released By> | DATED: <Release Date> |

| | | | |
|----------------|-------|-------------|---------------|
| CODE: | SIZE: | DRAWING NO: | REV: |
| <Code> | C | 1 | 1 |
| SCALE: <Scale> | | | SHEET: 2 of 5 |

6

5

4

3

2

1

| REVISION RECORD | | | |
|-----------------|---------|-----------|-------|
| LTR | ECO NO: | APPROVED: | DATE: |
| | | | |
| | | | |
| | | | |

D

D

C

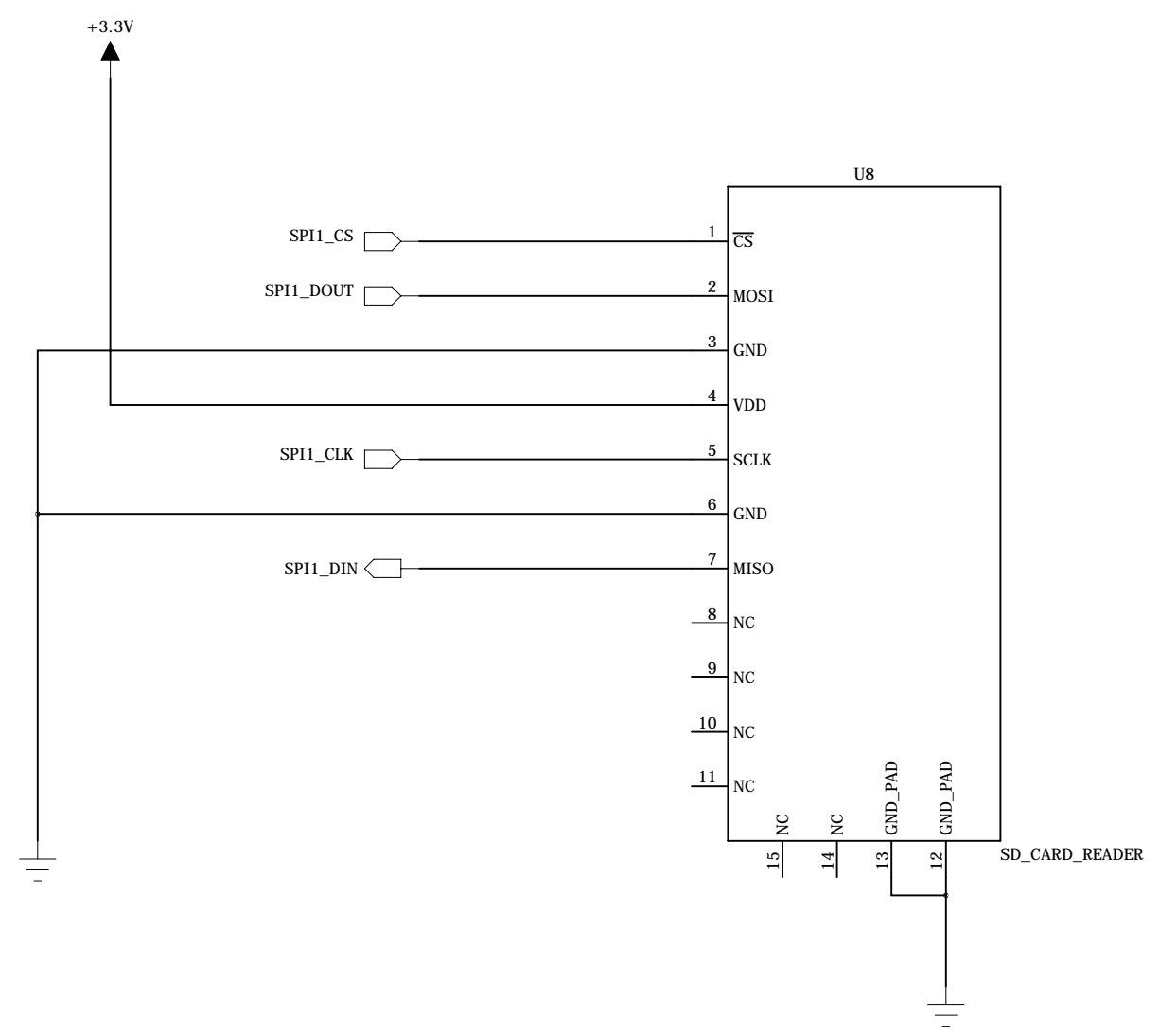
C

B

B

A

A



SD CONNECTOR

COMPANY: TEAM 9

TITLE: MAINBOARD

| | |
|-----------------------------|--------------------------|
| DRAWN: <Drawn By> | DATED: <Drawn Date> |
| CHECKED: <Checked By> | DATED: <Checked Date> |
| QUALITY CONTROL: <QC By> | DATED: <QC Date> |
| RELEASED: <Released By> | DATED: <Release Date> |

| | | | |
|----------------|-------|-------------|---------------|
| CODE: | SIZE: | DRAWING NO: | REV: |
| <Code> | C | 1 | 1 |
| SCALE: <Scale> | | | SHEET: 3 of 5 |

6

5

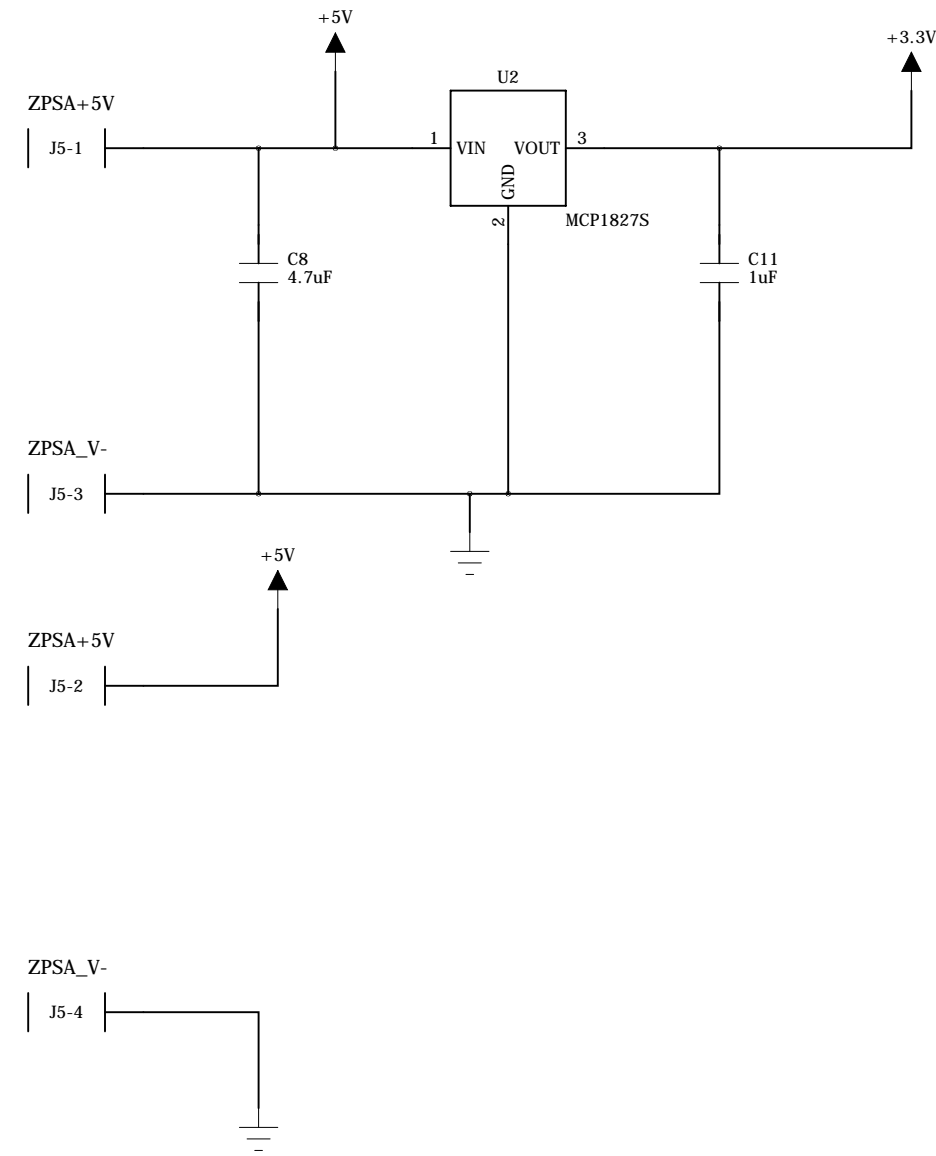
4

3

2

1

| REVISION RECORD | | | |
|-----------------|---------|-----------|-------|
| LTR | ECO NO: | APPROVED: | DATE: |
| | | | |
| | | | |
| | | | |



COMPANY: **TEAM 9**

TITLE: **MAINBOARD**

| | |
|-----------------------------|--------------------------|
| DRAWN: <Drawn By> | DATED: <Drawn Date> |
| CHECKED: <Checked By> | DATED: <Checked Date> |
| QUALITY CONTROL: <QC By> | DATED: <QC Date> |
| RELEASED: <Released By> | DATED: <Release Date> |

| | | | |
|------------------------------|-------------------|-------------------------|------------------|
| CODE: <Code> | SIZE: C | DRAWING NO: 1 | REV: 1 |
| SCALE: <Scale> | | | SHEET: 4 of 5 |

D

C

B

A

D

C

B

A

6

5

4

3

2

1

| REVISION RECORD | | | |
|-----------------|---------|-----------|-------|
| LTR | ECO NO: | APPROVED: | DATE: |
| | | | |
| | | | |
| | | | |

D

D

C

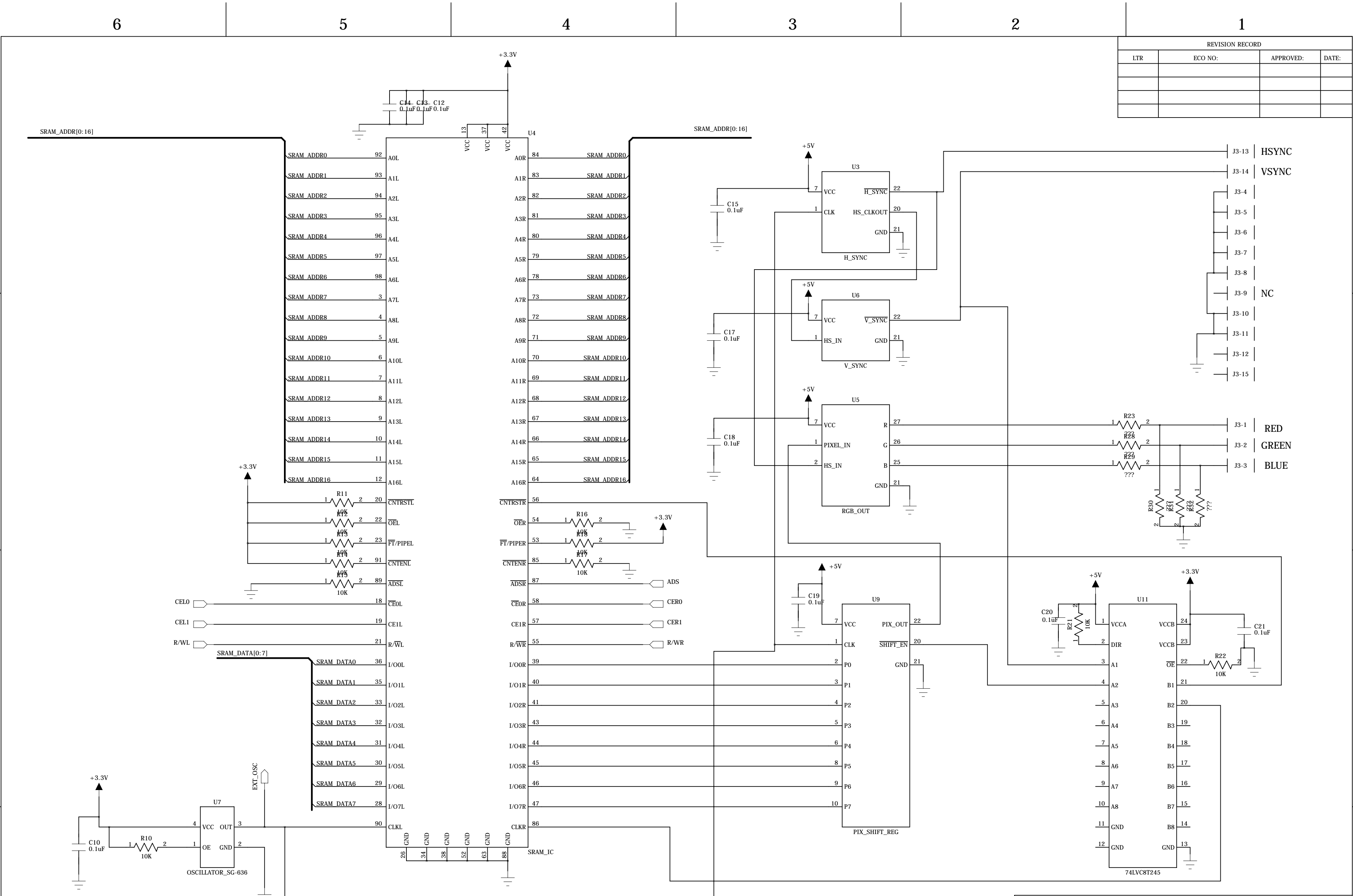
C

B

B

A

A



COMPANY: TEAM 9

TITLE: MAINBOARD

| | |
|-----------------------------|--------------------------|
| DRAWN: <Drawn By> | DATED: <Drawn Date> |
| CHECKED: <Checked By> | DATED: <Checked Date> |
| QUALITY CONTROL: <QC By> | DATED: <QC Date> |
| RELEASED: <Released By> | DATED: <Release Date> |

| | | | |
|-----------------|------------|------------------|---------------|
| CODE: <Code> | SIZE: C | DRAWING NO: 1 | REV: 1 |
| SCALE: <Scale> | | | SHEET: 5 of 5 |