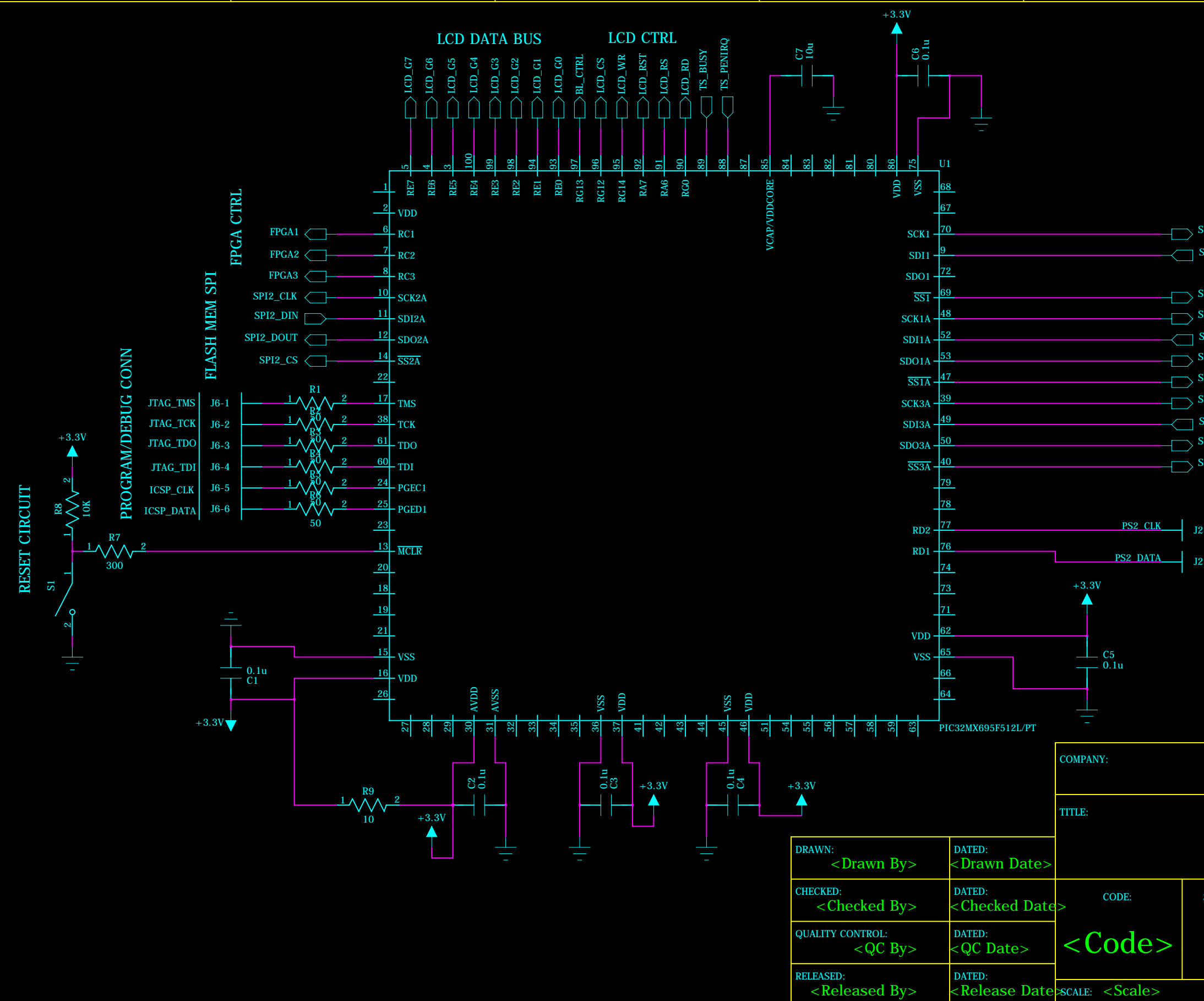


6 5 4 3 2 1

REVISION RECORD			
LTR	ECO NO:	APPROVED:	DATE:

D
C
B
A



COMPANY:				TEAM 9			
TITLE:				MAINBOARD			
DRAWN:	<Drawn By>	DATED:	<Drawn Date>	CODE:	SIZE:	DRAWING NO:	REV:
CHECKED:	<Checked By>	DATED:	<Checked Date>	<Code>	B	1	1
QUALITY CONTROL:	<QC By>	DATED:	<QC Date>	SCALE: <Scale>			
RELEASED:	<Released By>	DATED:	<Release Date>				
SHEET: 1 OF 7							

6

5

4

3

2

1

D

D

C

C

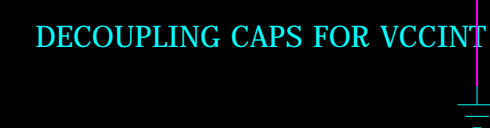
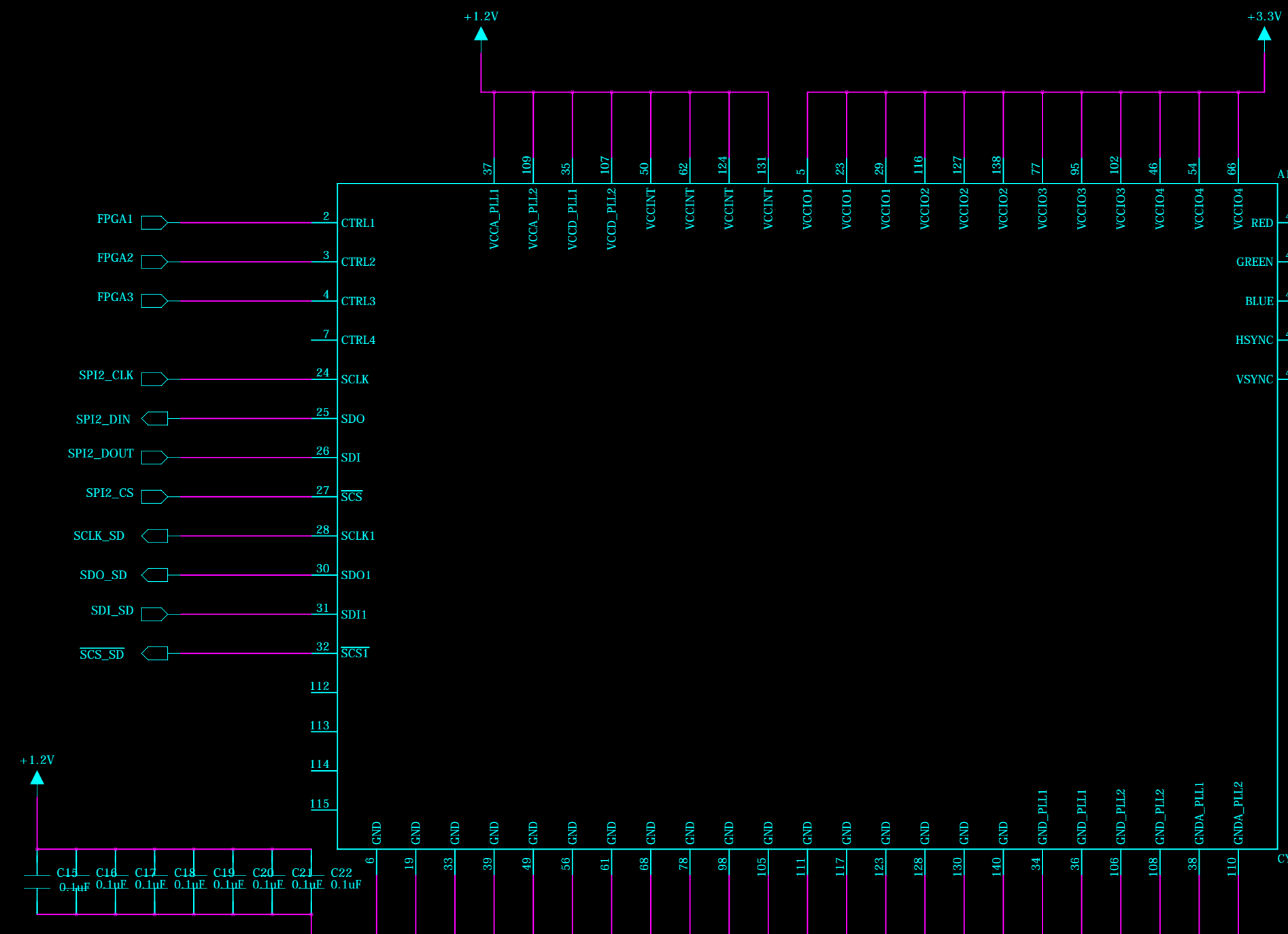
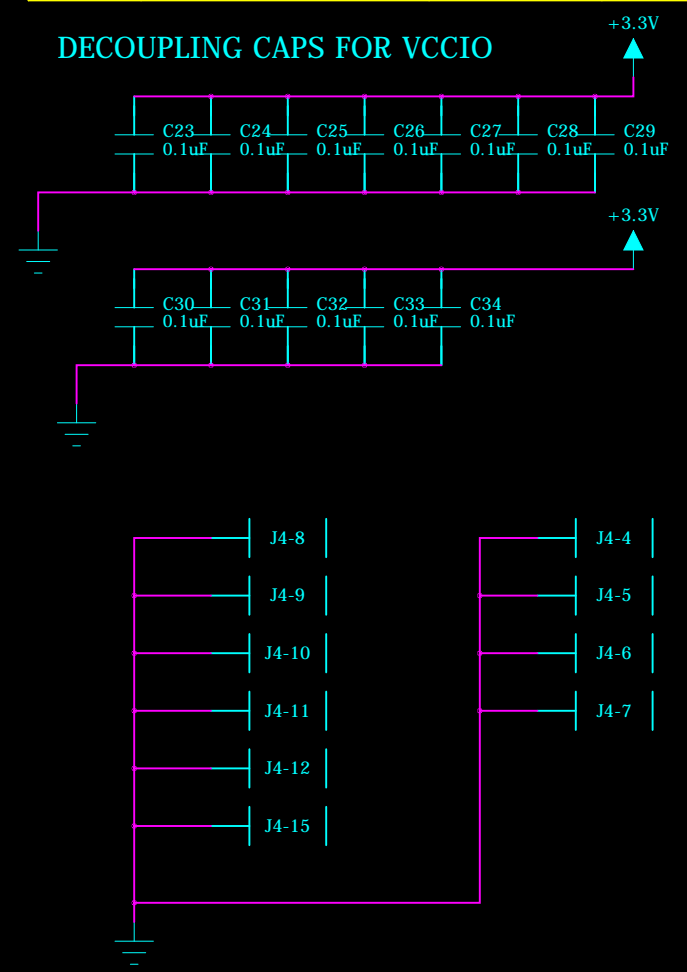
B

B

A

A

REVISION RECORD			
LTR	ECO NO:	APPROVED:	DATE:



COMPANY:				TEAM 9			
TITLE:				MAINBOARD			
DRAWN: <Drawn By>	DATED: <Drawn Date>	CODE:	SIZE:	DRAWING NO:	REV:		
CHECKED: <Checked By>	DATED: <Checked Date>	<Code>	B	1	1		
QUALITY CONTROL: <QC By>	DATED: <QC Date>	SCALE: <Scale>		SHEET: 2 OF 7			
RELEASED: <Released By>	DATED: <Release Date>						

6

5

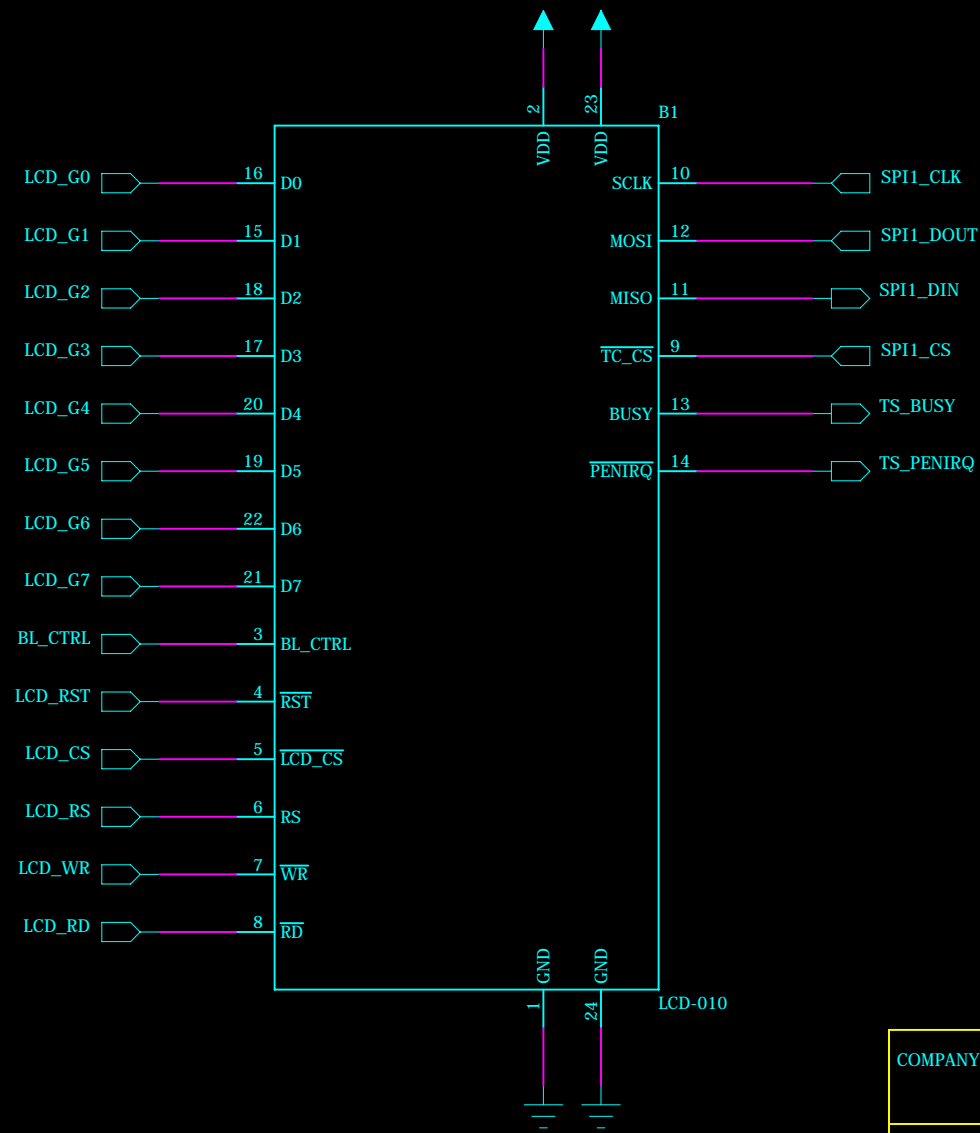
4

3

2

1

REVISION RECORD			
LTR	ECO NO:	APPROVED:	DATE:



COMPANY: **TEAM 9**

TITLE: **MAINBOARD**

DRAWN: <Drawn By>	DATED: <Drawn Date>
CHECKED: <Checked By>	DATED: <Checked Date>
QUALITY CONTROL: <QC By>	DATED: <QC Date>
RELEASED: <Released By>	DATED: <Release Date>

CODE:	SIZE:	DRAWING NO:	REV:
<Code>	B	1	1
SCALE: <Scale>			SHEET: 3 OF 7

6

5

4

3

2

1

REVISION RECORD			
LTR	ECO NO:	APPROVED:	DATE:

D

D

C

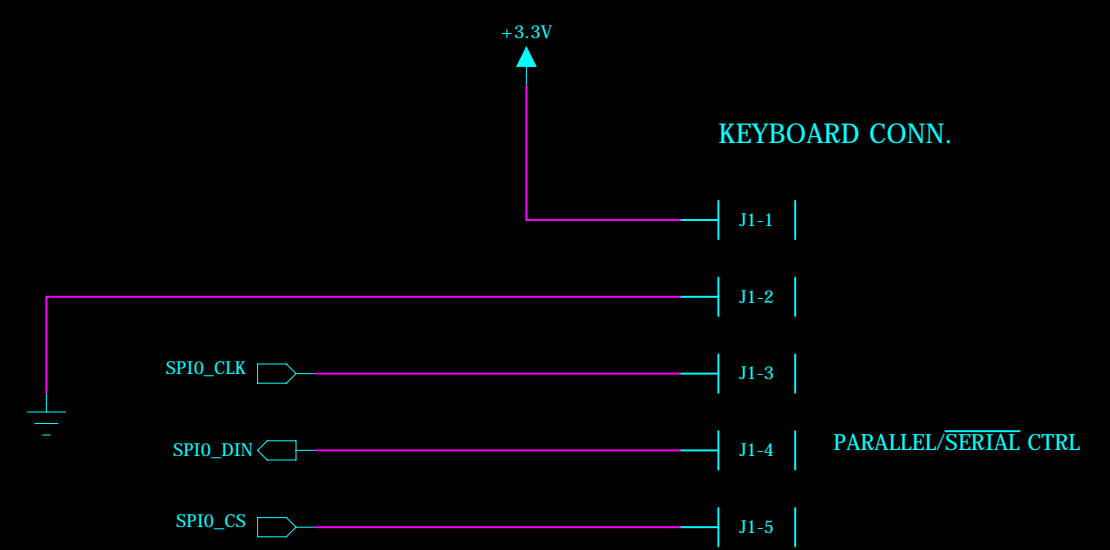
C

B

B

A

A



COMPANY:				TEAM 9			
TITLE:				MAINBOARD			
CODE:	SIZE:	DRAWING NO:		REV:			
<Code>	B	1		1			
SCALE: <Scale>				SHEET: 4 OF 7			

DRAWN: <Drawn By>	DATED: <Drawn Date>
CHECKED: <Checked By>	DATED: <Checked Date>
QUALITY CONTROL: <QC By>	DATED: <QC Date>
RELEASED: <Released By>	DATED: <Release Date>

6

5

4

3

2

1

REVISION RECORD			
LTR	ECO NO:	APPROVED:	DATE:

D

D

C

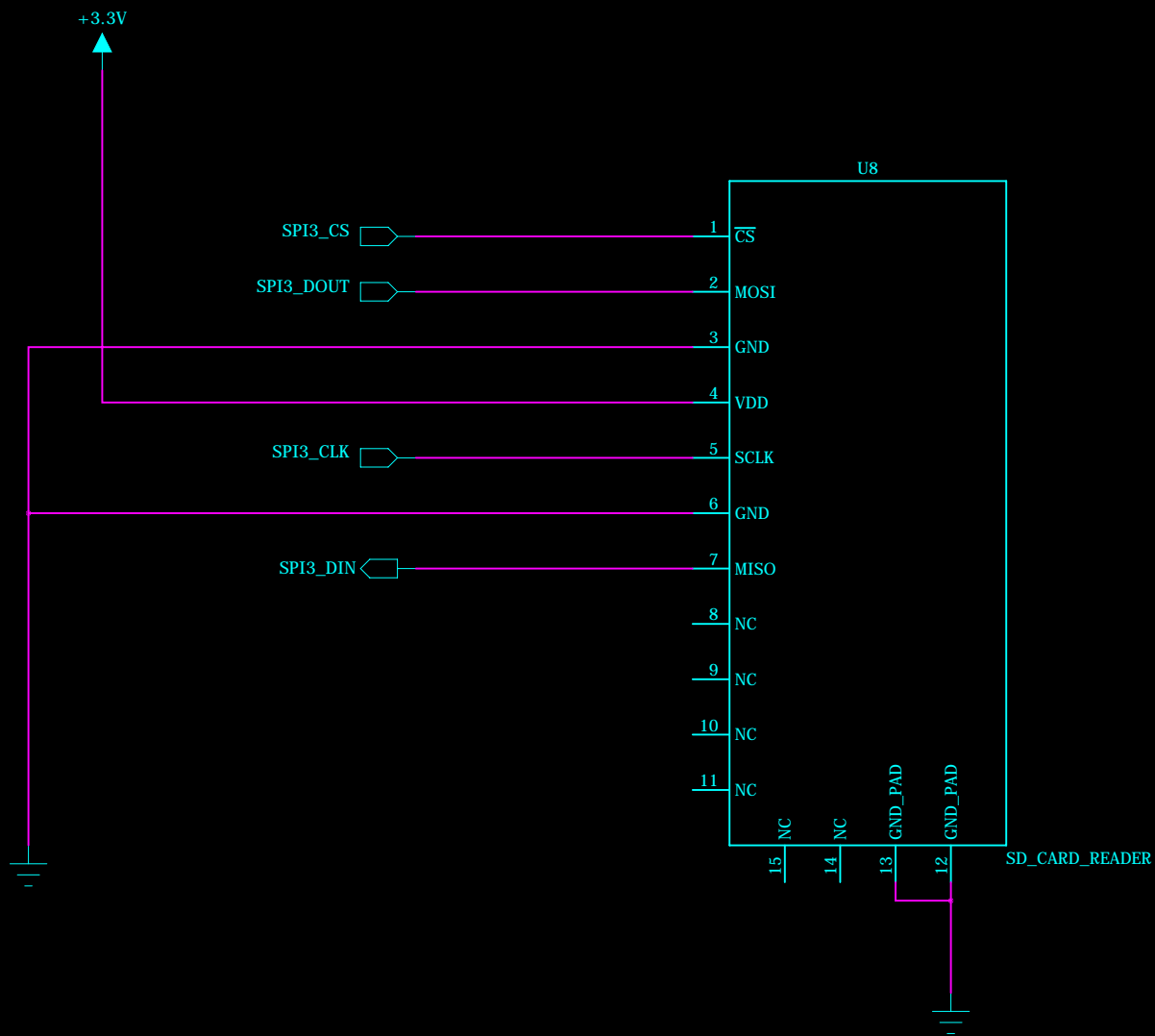
C

B

B

A

A



SD CONNECTOR

SD_CARD_READER

COMPANY:				TEAM 9			
TITLE:				MAINBOARD			
DRAWN: <Drawn By>	DATED: <Drawn Date>	CODE:	SIZE:	DRAWING NO:	REV:		
CHECKED: <Checked By>	DATED: <Checked Date>	<Code>	B	1	1		
QUALITY CONTROL: <QC By>	DATED: <QC Date>	SCALE: <Scale>		SHEET: 5 of 7			
RELEASED: <Released By>	DATED: <Release Date>						

6

5

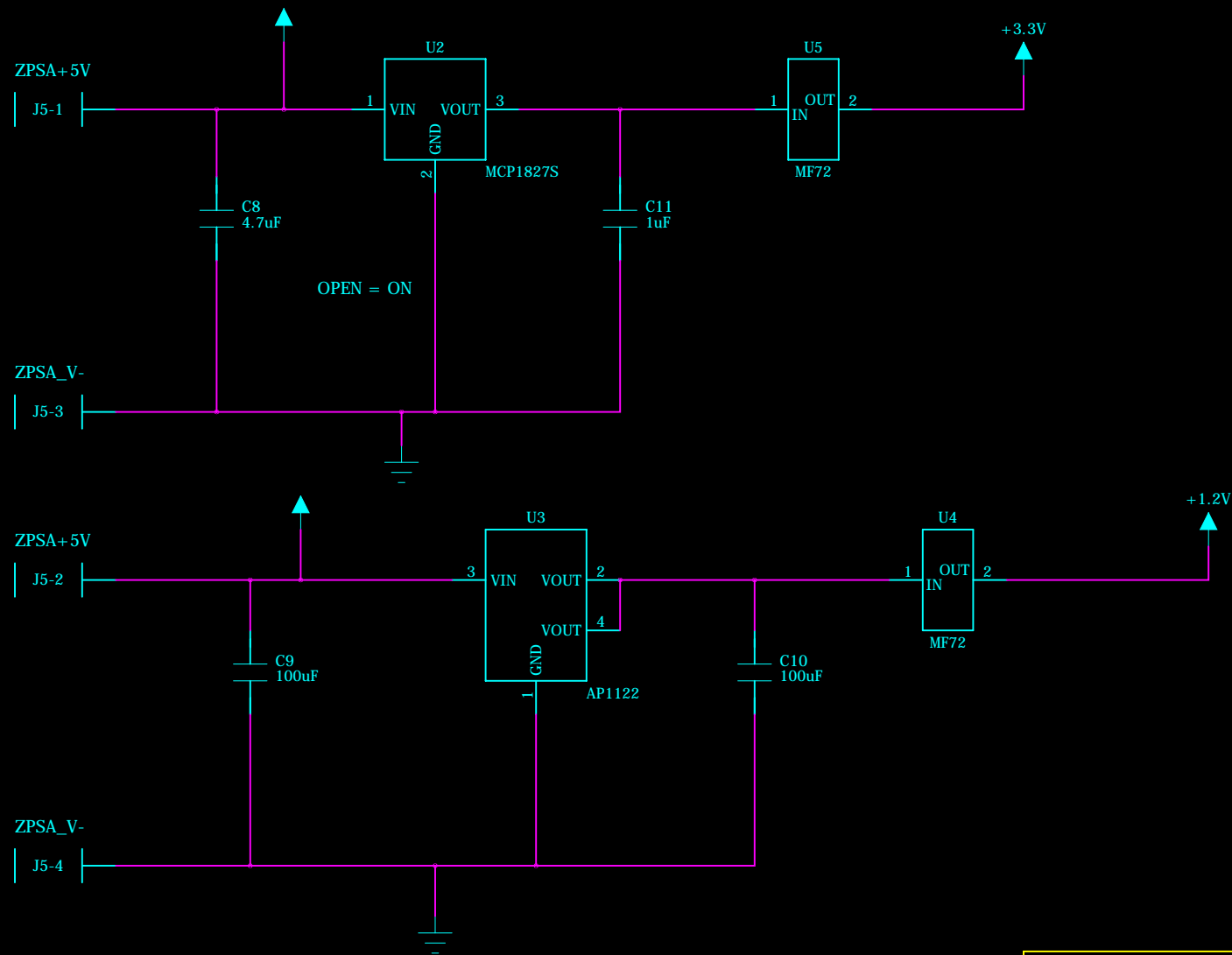
4

3

2

1

REVISION RECORD			
LTR	ECO NO:	APPROVED:	DATE:



COMPANY:				TEAM 9			
TITLE:				MAINBOARD			
DRAWN:	DATED:	CODE:	SIZE:	DRAWING NO:	REV:		
<Drawn By>	<Drawn Date>	<Code>	B	1	1		
CHECKED:	DATED:	SCALE: <Scale>		SHEET: 6 OF 7			
<Checked By>	<Checked Date>						
QUALITY CONTROL:	DATED:						
<QC By>	<QC Date>						
RELEASED:	DATED:						
<Released By>	<Release Date>						

D

C

B

A

D

C

B

A

6

5

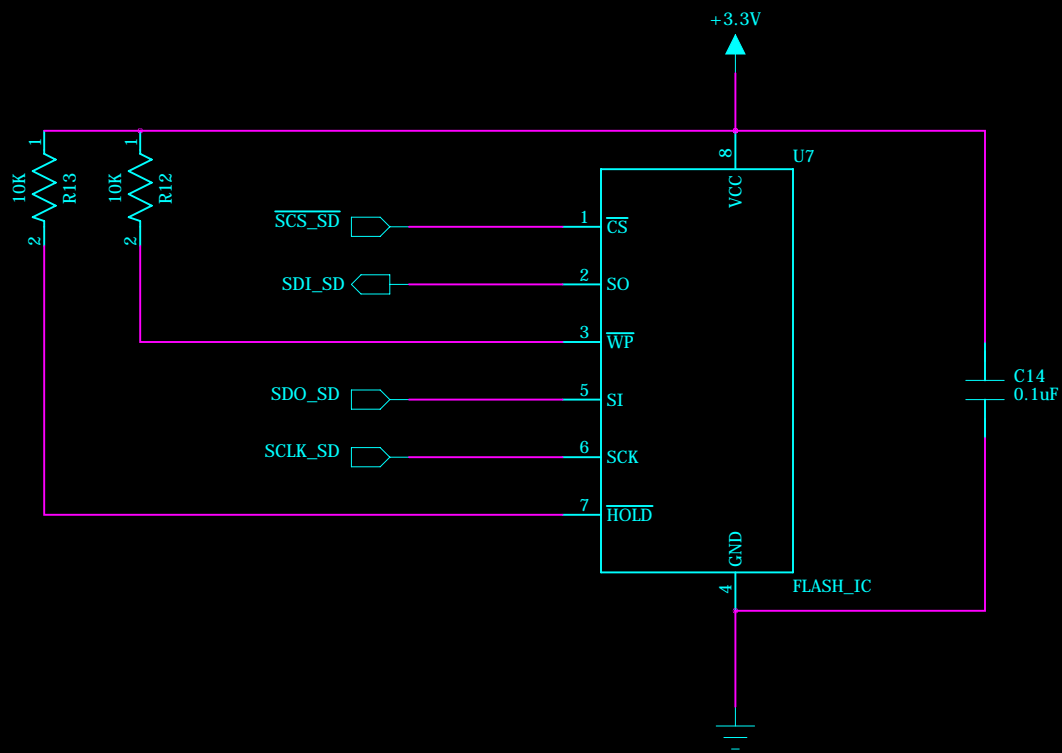
4

3

2

1

REVISION RECORD			
LTR	ECO NO:	APPROVED:	DATE:



COMPANY:				TEAM 9			
TITLE:				MAINBOARD			
CODE:	SIZE:	DRAWING NO:		REV:			
<Code>	B	1		1			
SCALE: <Scale>				SHEET: 7 OF 7			

DRAWN: <Drawn By>	DATED: <Drawn Date>
CHECKED: <Checked By>	DATED: <Checked Date>
QUALITY CONTROL: <QC By>	DATED: <QC Date>
RELEASED: <Released By>	DATED: <Release Date>

D

C

B

A

D

C

B

A