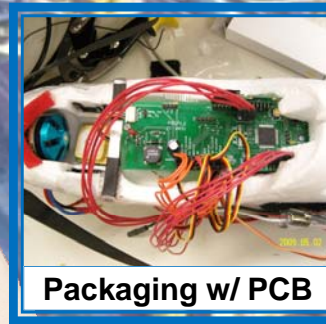
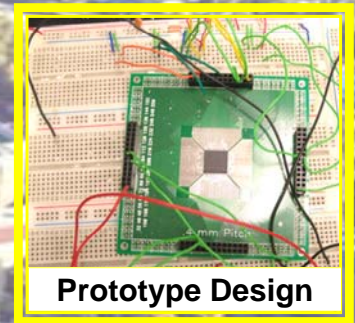
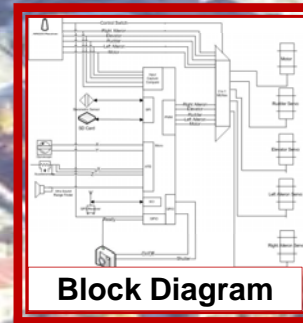


**= UAV**

The **FlySpy** project is an autonomous aircraft that flies to waypoints given by GPS coordinates. While at these coordinates, the aircraft will be capable of taking photographs of the location with an onboard camera.

GPS GUIDED UAV FLYSPY



### Project Specific Success Criteria

- Ability to control airplane's control surfaces and throttle
- Ability to read/write flight information to non-volatile memory
- Ability to take pictures with onboard camera
- Ability to autonomously navigate to GPS coordinates
- Ability to calculate orientation of the vehicle