

Team 12

*The Two Wheel Deal*

⌘⌘ 4000

Greg Eakins  
Eric Geier  
Pete Dudash  
Jeremy Gries

# Similar Commercial Products

- Segway



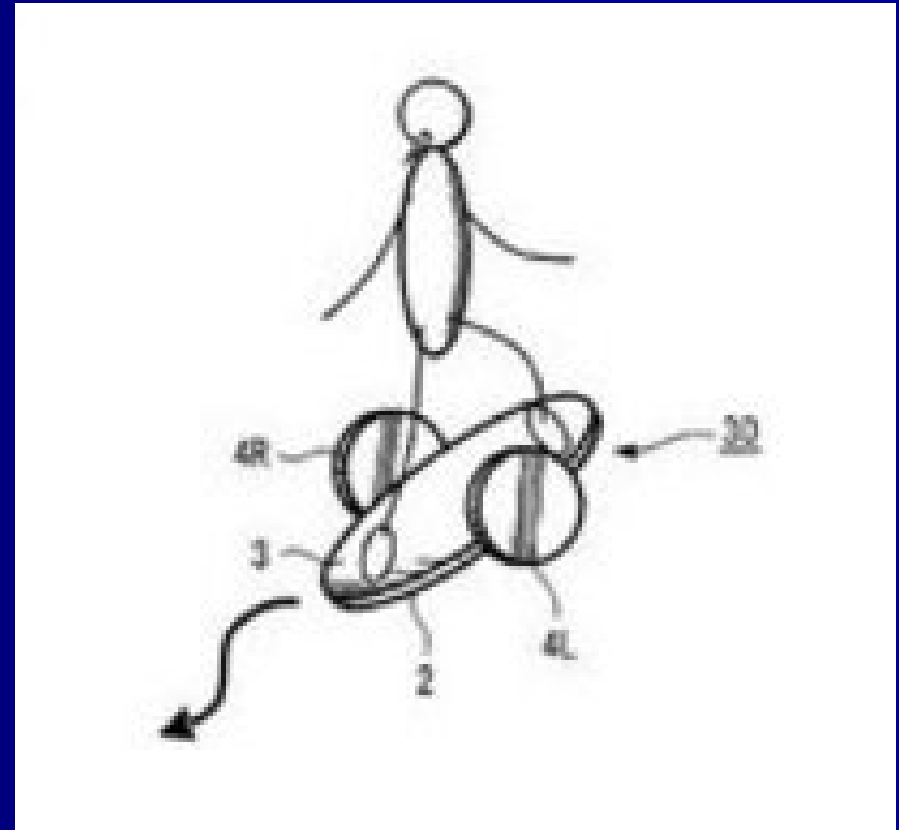
# Patent Infringement –

“YES”

- Segway uses similar and redundant angle detection and balancing techniques
- Vehicle moves forward in same manner by person leaning
- Uses independent motorized drives
- Segway steering comes from tilting shaft attached to handlebar

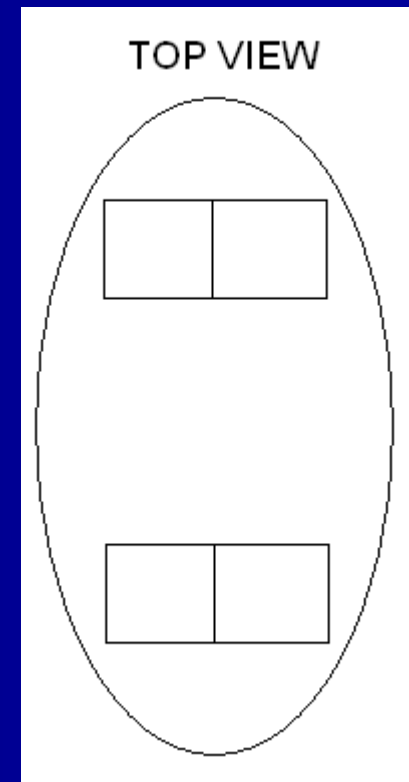
# Similar Patented Project

- Sony's Patented "Skate-way"
- Rider Leans to make skateboard move



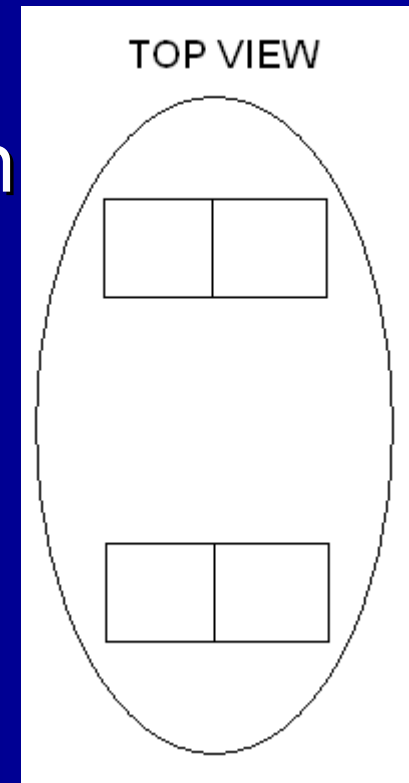
# Patent Infringement – “No”

- “Skateway” uses a person’s balance on force sensors to determine motor speed
- Some skill is required in using this device



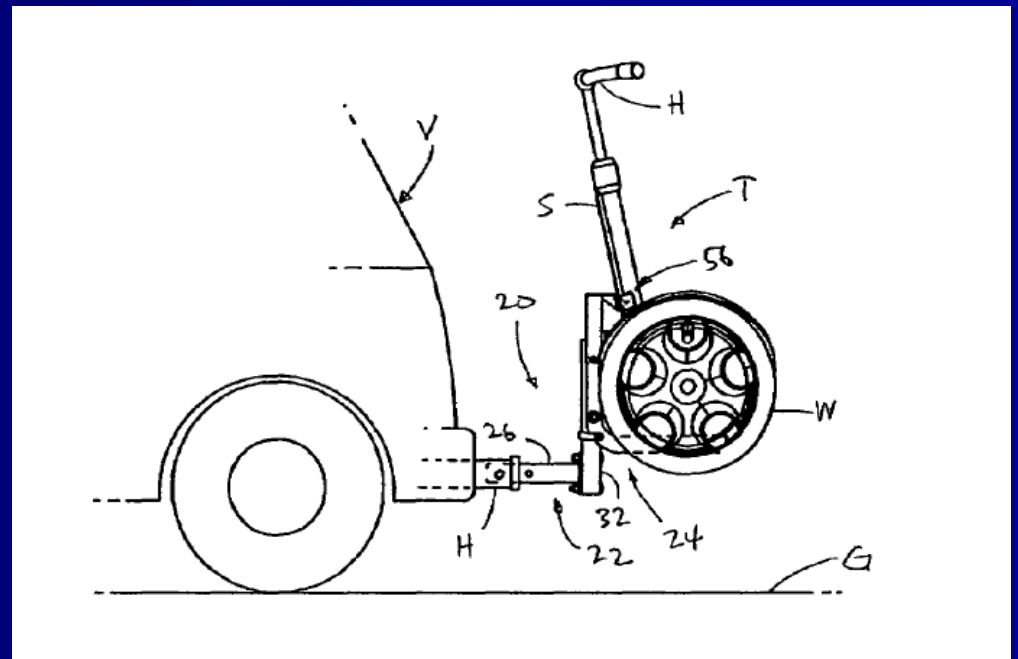
# Patent Infringement – “No”

- Balance determined by rider skill not angle detection
- Motor Drives input comes from force sensor pads
- Steering comes from person shifting balance



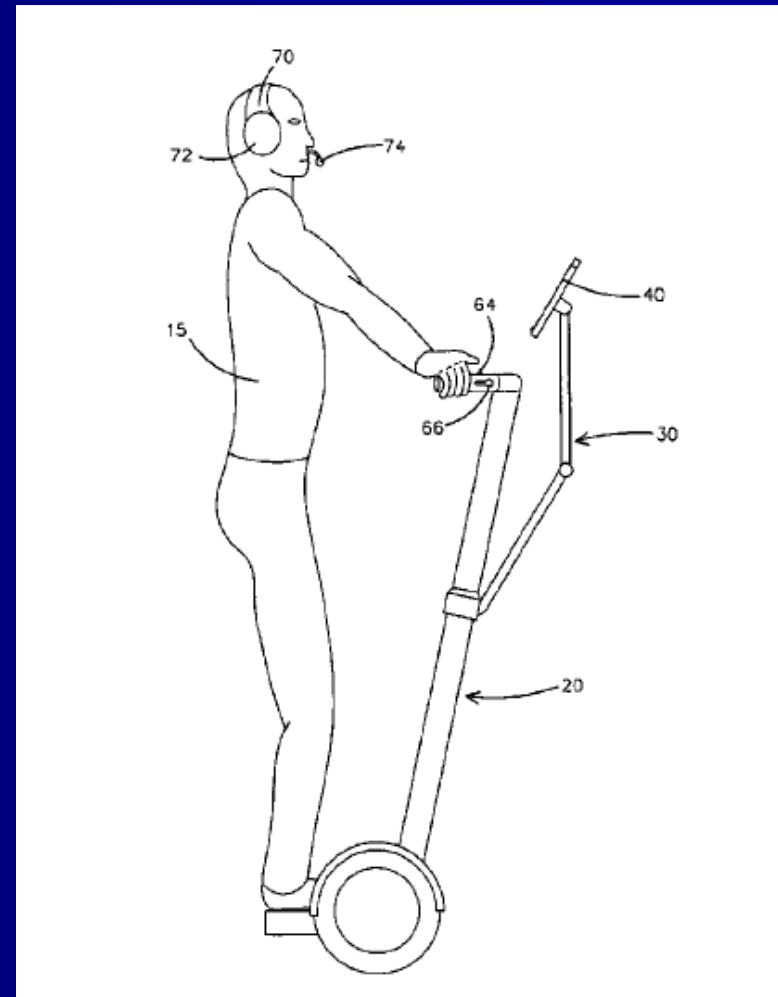
# Other Interesting Patents

- Balancing Segway with Passive Pivotal Support



# Other Interesting Patents

- Computer Equipped Mobility Device





**Questions ?**