

FEATURES AND SPECIFICATIONS

Features and Benefits

- Sizes 2 to 28 circuits
- Friction lock provides passive lock to connector with ramp
- Good in high vibration applications
- 7478 with voids is 7832 Series
- Various pin lengths available

Reference Information

Product Specification: PS-10-07

Packaging: Bag

UL File No.: E29179

CSA File No.: LR19980

Mates With: 2695, 4455A, 4455C, 6471, 7880 and 70400-H

Designed In: Inches

Electrical

Voltage: 250V

Current: 4.0A

Contact Resistance: 20mΩ max.

Dielectric Withstanding Voltage: 1500V

Insulation Resistance: 50K MΩ min.

Mechanical

Durability:

Tin—25 cycles max.

Gold—100 cycles max.

Physical

Housing: Red nylon, UL 94V-0

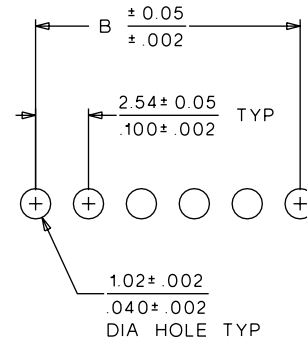
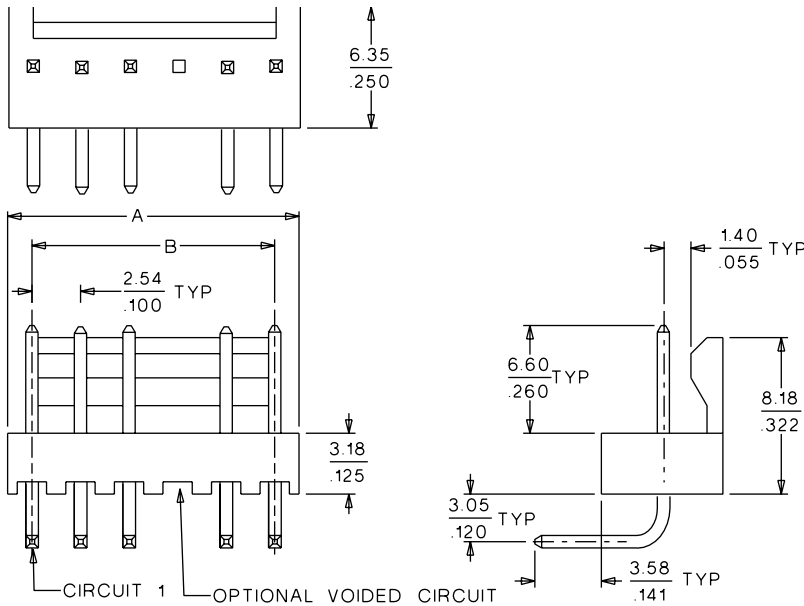
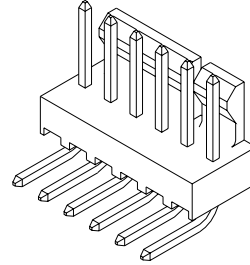
Contact: Brass, 0.64mm (.025") square

Plating: See Table

Temperature: 0 to +75°C

molex® 2.54mm (.100") Pitch KK® Solid Header

7478 Right Angle Friction Lock



ORDERING INFORMATION AND DIMENSIONS

Circuits	Order No.		Dimension	
	Tin	Gold	A	B
2	• 22-05-3021	• 22-12-2024	5.08 (.200)	2.54 (.100)
3	• 22-05-3031	• 22-12-2034	7.62 (.300)	5.08 (.200)
4	• 22-05-3041	• 22-12-2044	10.16 (.400)	7.62 (.300)
5	• 22-05-3051	• 22-12-2054	12.70 (.500)	10.16 (.400)
6	• 22-05-3061	• 22-12-2064	15.24 (.600)	12.70 (.500)
7	• 22-05-3071	• 22-12-2074	17.78 (.700)	15.24 (.600)
8	• 22-05-3081	• 22-12-2084	20.32 (.800)	17.78 (.700)
9	• 22-05-3091	• 22-12-2094	22.86 (.900)	20.32 (.800)
10	• 22-05-3101	• 22-12-2104	25.40 (1.000)	22.86 (.900)
11	• 22-05-3111	• 22-12-2114	27.94 (1.100)	25.40 (1.000)
12	• 22-05-3121	• 22-12-2124	30.48 (1.200)	27.94 (1.100)
13	• 22-05-3131	• 22-12-2134	33.02 (1.300)	30.48 (1.200)
14	• 22-05-3141	• 22-12-2144	35.56 (1.400)	33.02 (1.300)
15	• 22-05-3151	• 22-12-2154	38.10 (1.500)	35.56 (1.400)

Circuits	Order No.		Dimension	
	Tin	Gold	A	B
16	• 22-05-3161	• 22-12-2164	40.64 (1.600)	38.10 (1.500)
17	• 22-05-3171	• 22-12-2174	43.18 (1.700)	40.64 (1.600)
18	• 22-05-3181	• 22-12-2184	45.72 (1.800)	43.18 (1.700)
19	• 22-05-3191	• 22-12-2194	48.26 (1.900)	45.72 (1.800)
20	• 22-05-3201	• 22-12-2204	50.80 (2.000)	48.26 (1.900)
21	• 22-05-3211	• 22-12-2214	53.34 (2.100)	50.80 (2.000)
22	• 22-05-3221	• 22-12-2224	55.88 (2.200)	53.34 (2.100)
23	• 22-05-3231	• 22-12-2234	58.42 (2.300)	55.88 (2.200)
24	• 22-05-3241	• 22-12-2244	60.96 (2.400)	58.42 (2.300)
25	• 22-05-3251	• 22-12-2254	63.50 (2.500)	60.96 (2.400)
26	22-05-3261	22-12-2264	66.04 (2.600)	63.50 (2.500)
27	22-05-3271	22-12-2274	68.58 (2.700)	66.04 (2.600)
28	22-05-3281	22-12-2284	71.12 (2.800)	68.58 (2.700)

• US Standard Product, available through Molex franchised distributors