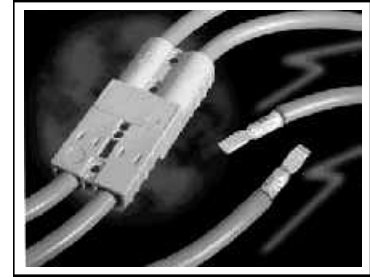


## AMP Power Series 50 Connectors

### DESCRIPTION

- High Current Power Connectors – 2 Pole, 50 Amperes
- High Durability – Suitable for repeated mating and unmating
- Housings and contacts available separately or in kit form (1 housing & 2 contacts)
- Accessories include: Connector Handles, Dust Covers and Contact Reducing Bushings (permits use of smaller wire sizes)



### APPLICATIONS

- Power Supplies & Charging Systems
- Battery-Powered Accessories
- Material Handling Equipment
- Electric Vehicles
- Telecommunications

### ELECTRICAL

- Current Carrying Capability:
- 50 amp per circuit w/6 AWG wire
- Max. Operating Voltage: 600 V, AC or DC
- Dielectric Withstanding Voltage: 2200 VDC
- Average Initial Contact Resistance: 200 micro-ohms

### KEY FEATURES

- Color-coded UL 94V-0 housings: gray, red, blue, yellow and black; other colors available upon request  
Note: Black color housing has the same mechanical key as the gray housing
- Mechanical keys prevent two different voltage color-coded housings from mating
- Genderless housings reduce inventory
- Cold-headed contact wire range: 6, 8, 10-12 AWG (Taped version of the cold-headed contacts available.)
- Stamped and formed contact available\*: 6-10 AWG
- Part Number 647770-1 (strip) or Part Number 647769-1 (loose piece)
- Stamped and formed contact available\*: 10-12 AWG
- Part Number 647752-1 (strip) or Part Number 647751-1 (loose piece)
- \* Suitable for high volume applications in a semiautomatic
- Model K Terminating Machine using a Heavy Duty Mini-Applicator (HDM)

### MECHANICAL

- Contact Retention: 50 lbs.
- Average Mating/Unmating Force: 15 lbs.
- Max. Wire Insulation Diameter: .44 [11.18]
- Wire Size Range: 6-12 AWG (also 6-16 AWG w/Reducing Bushings)

### PRODUCT OFFERING

#### AMP Power Series 50, 2-Pole Connectors

Connector Kit Part Number	Housing Color	Wire Size	Housing Part Number	Contact Part Number
647892-3	Red	6 AWG	647845-3	647877-1
647893-3	Red	10-12 AWG	647845-3	647879-1
647892-4	Gray	6 AWG	647845-4	647877-1
647893-4	Gray	10-12 AWG	647845-4	647879-1
647892-5	Blue	6 AWG	647845-5	647877-1
647893-5	Blue	10-12 AWG	647845-5	647879-1
647892-7	Black	6 AWG	647845-7	647877-1
647893-7	Black	10-12 AWG	647845-7	647879-1
647892-8	Yellow	6 AWG	647845-8	647877-1
647893-8	Yellow	10-12 AWG	647845-8	647879-1
—	—	8 AWG	—	647878-1

Stamped and formed contacts, 6-10 AWG	647770-1 (strip)
	647769-1 (loose pc)
Stamped and formed contacts, 10-12 AWG	647752-1 (strip)
	647751-1 (loose pc)
Taped version of Cold-Headed contacts	6 AWG — 647754-1
	8 AWG — 647755-1
	10-12 AWG — 647756-1

#### Voltage Key Color Code

Recommended Color <sup>s</sup>	Voltage
Yellow	12 V
Red	24 V
Gray	36 V
Blue	48 V
Black	80 V

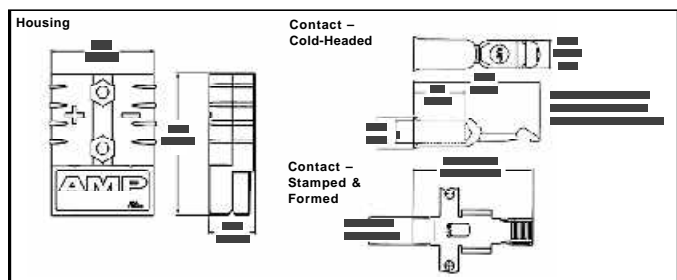
### MATERIALS

- Housing: Polycarbonate, UL 94V-0
- Contacts: Copper with silver plating

### STANDARDS & SPECS

- Component Recognized by UL to US and Canadian

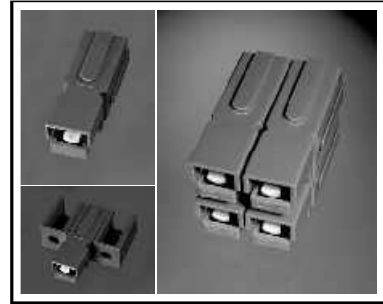
### PRODUCT DIMENSIONS



# AMP Power Series 75 Connectors (Single Pole)

## DESCRIPTION

- Single-pole 75 A connector housing available in various colors
- Connector kits (1 housing and 1 contact)
- Accessories: Mounting wings, retaining pins, reducing bushings and mounting clamp sets



## APPLICATIONS

- Power supplies
- Material handling equipment
- Electrical vehicles
- Office furniture
- Telecommunications

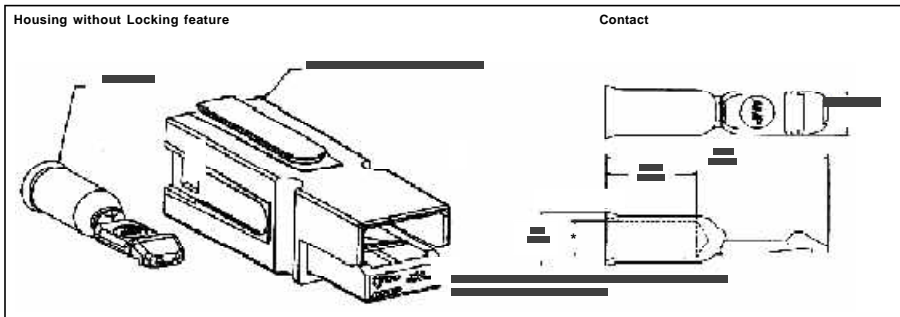
## KEY FEATURES

- Color-coded UL 94V-0 housings: blue, black, white, green and red
- Genderless housings reduce inventory
- Cold-headed contact wire range: 6, 8, 10-12 AWG
- Stamped and formed contacts available:  
6-10 AWG Part Number 647770-1 (strip)  
647769-1 (loose piece)  
12 AWG Part Number 647752-1 (strip)  
647751-1 (loose piece)

## MATERIALS

- Housing: Polycarbonate, UL94V-0
- Contacts: Copper with silver plating
- Mounting Wings: Polycarbonate, UL94V-0
- Retaining Pins: Stainless steel

## PRODUCT DIMENSIONS



## ELECTRICAL

- Current Carrying Capability (with 6 AWG):  
Single-Pole 75 A  
1x2 Stacked Configuration 62 A  
2x2 Stacked Configuration 60 A  
1x3 Stacked Configuration 58 A  
2x3 Stacked Configuration 52 A
- Operating Voltage: 600 V, AC or DC
- Dielectric Withstanding Voltage: 2200 VDC
- Average Initial Contact Resistance: 200 micro-ohms

## PRODUCT OFFERING

### Non-Locking Version

Connector Kit Part Number	Housing Color	Wire Size	Housing Part Number	Contact Part Number
1445716-1	Blue	6 AWG	1445715-1	647877-1
1445716-2	Black	6 AWG	1445715-2	647877-1
1445716-3	White	6 AWG	1445715-3	647877-1
1445716-4	Green	6 AWG	1445715-4	647877-1
1445716-5	Red	6 AWG	1445715-5	647877-1
		8 AWG		647878-1
		10-12 AWG		647879-1
		6 AWG		647754-1
		8 AWG		647755-1
		10-12 AWG		647756-1

### Crimp Tools (PICO 400 Series Pneumatic)

Locator <sup>5</sup>	Die Set <sup>5</sup>
96161	414DA-9616

<sup>5</sup> All wire sizes

## MECHANICAL

- Contact Retention: 50 lbs.
- Average Mating/Unmating Force: 15 lbs.
- Max. Wire Insulation Diameter: .44 [11.18]
- Wire Size Range: 6-12 AWG

## STANDARDS & SPECS

- Component Recognized by UL to US and Canadian Standards