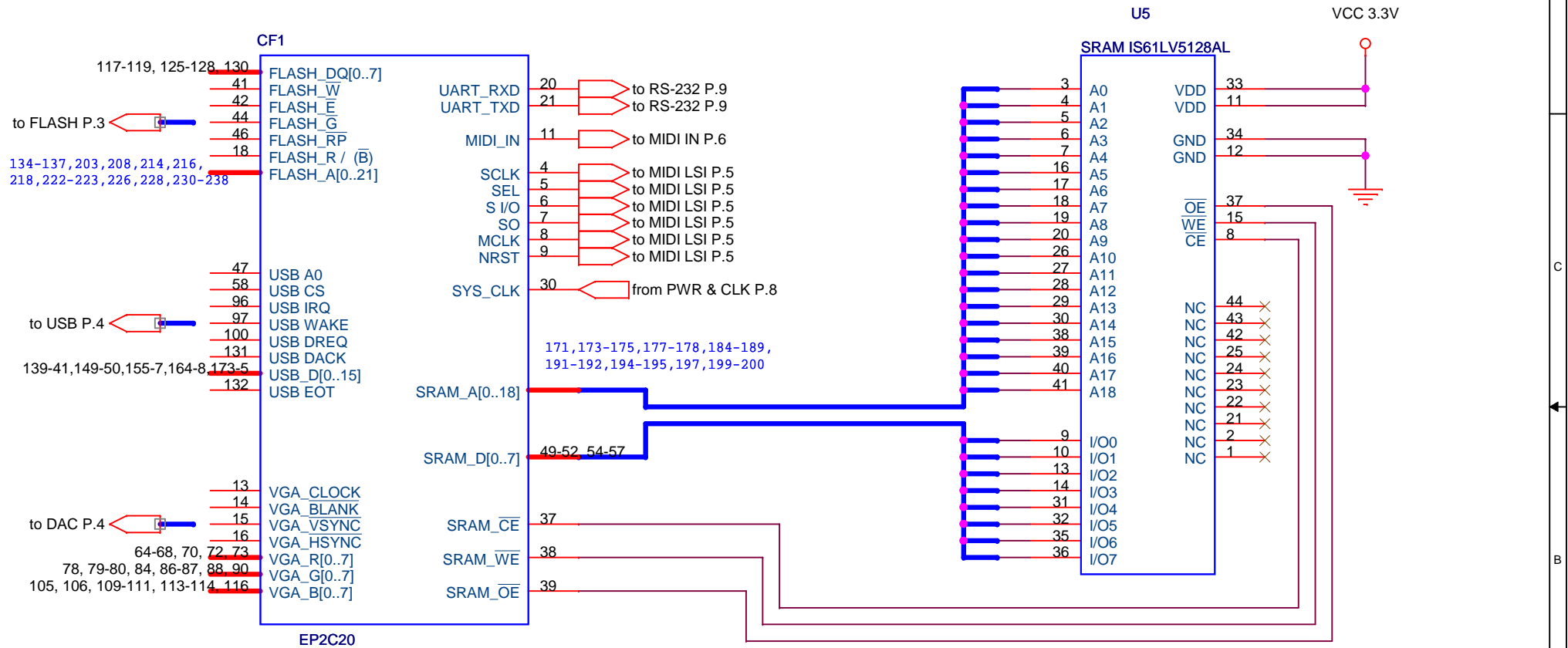
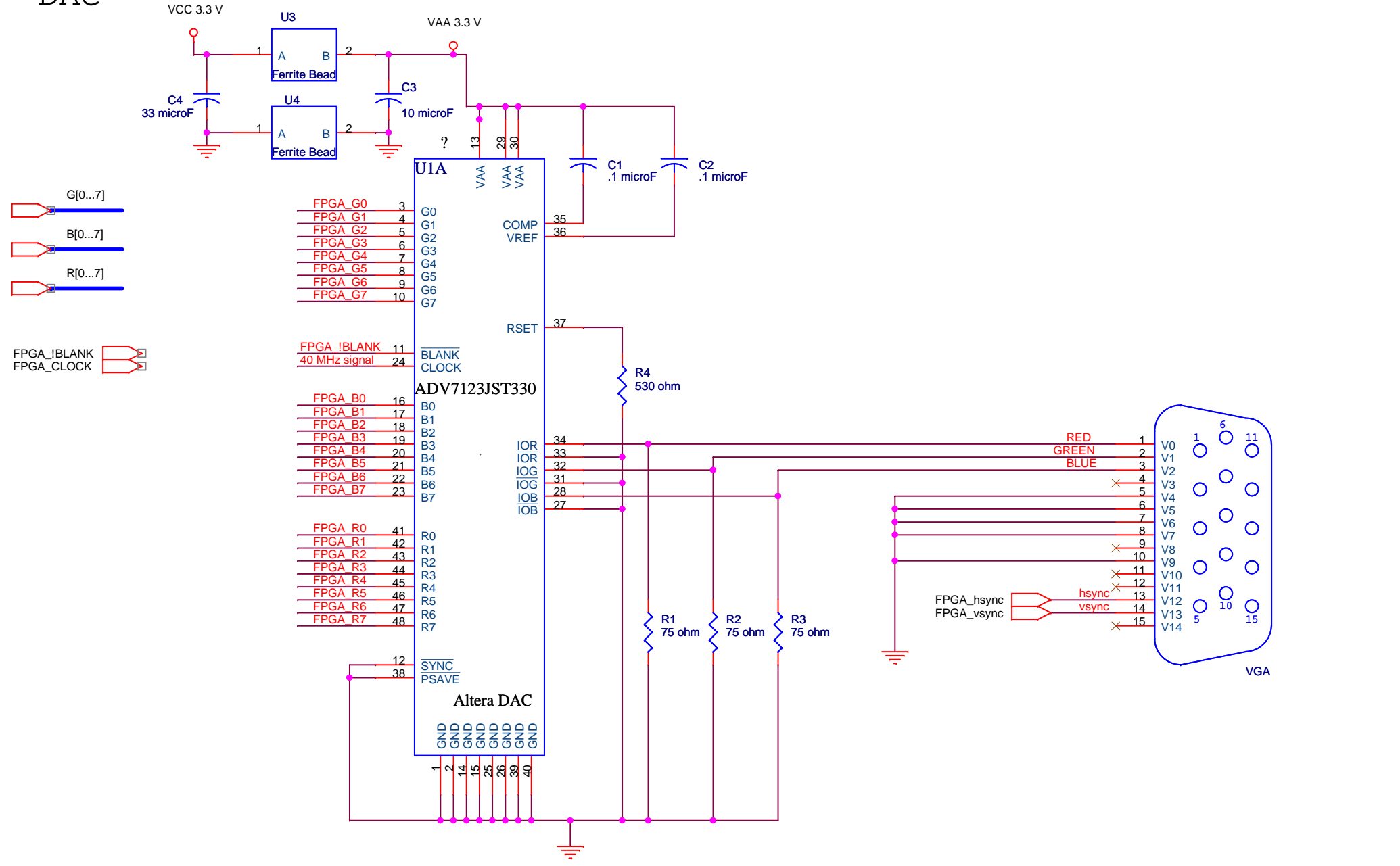


FPGA I/O



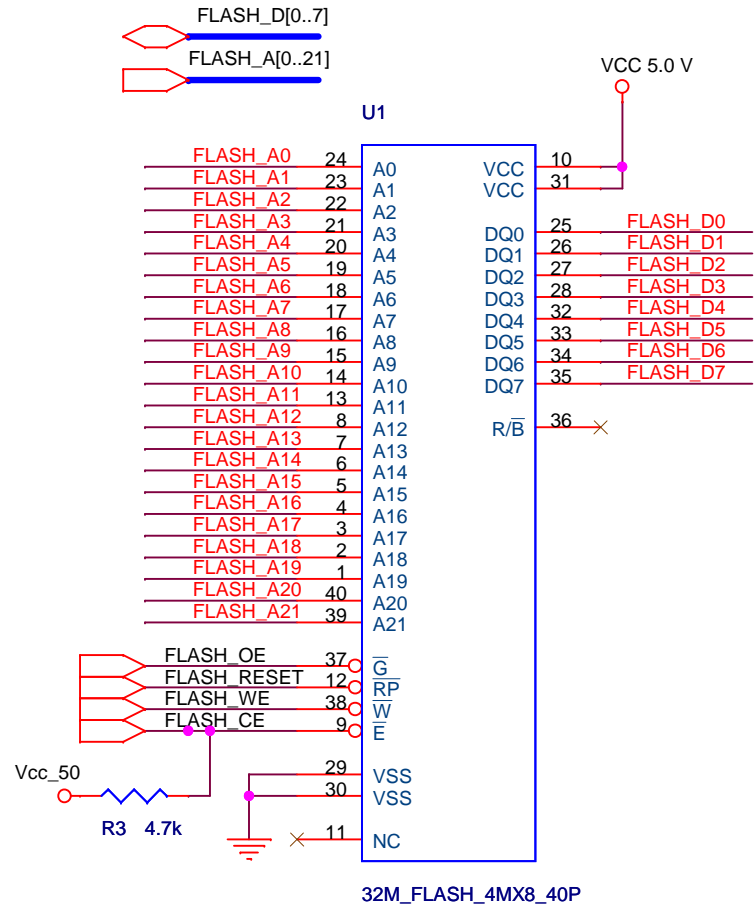
Title		
FPGA		
Size	Document Number	Rev
A	1	<Rev Co
Date:	Friday, September 28, 2007	Sheet 1 of 1

DAC



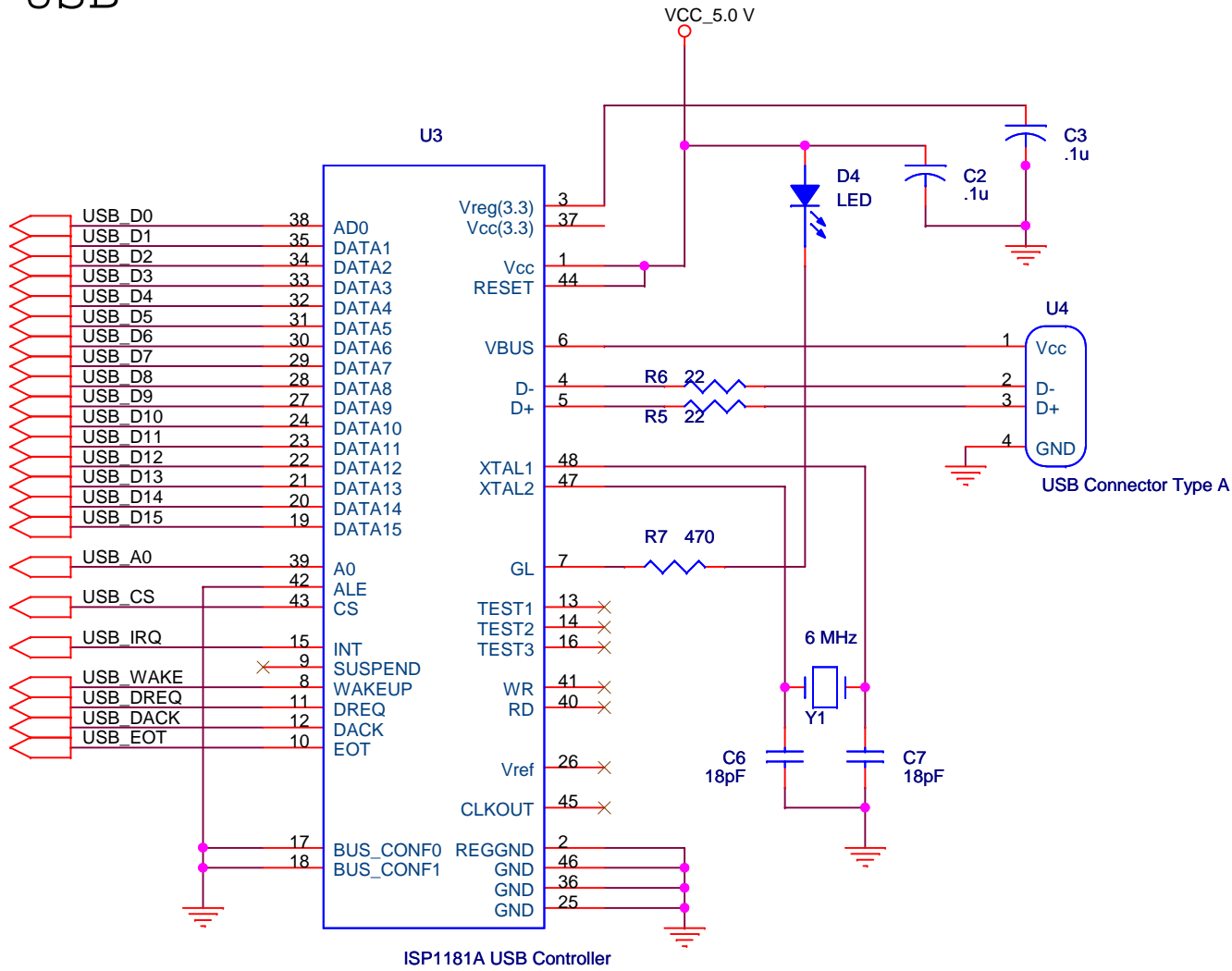
Title		
DAC		
Size	Document Number	Rev
Custom	2	<RevC
Date:	Friday, September 28, 2007	Sheet 1 of 1

FLASH



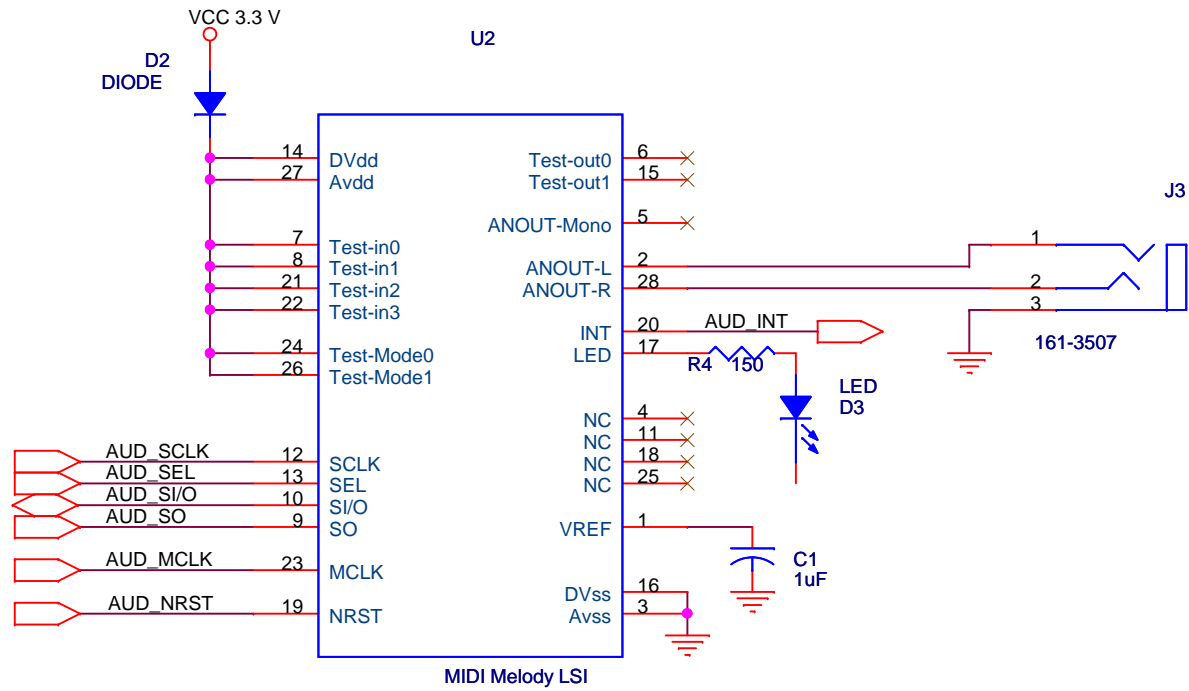
Title		
FLASH		
Size	Document Number	Rev
A	3	<Rev Co
Date:	Friday, September 28, 2007	Sheet 1 of 1

USB



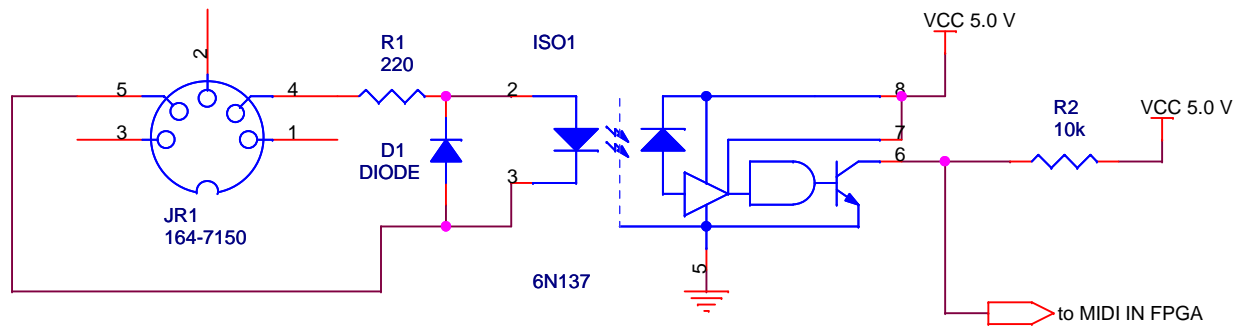
Title		
USB		
Size	Document Number	Rev
A	4	<Rev Co
Date:	Friday, September 28, 2007	Sheet 1 of 1

MIDI LSI



Title		
MIDI LSI		
Size	Document Number	Rev
A	5	<Rev Co
Date:	Friday, September 28, 2007	Sheet 1 of 1

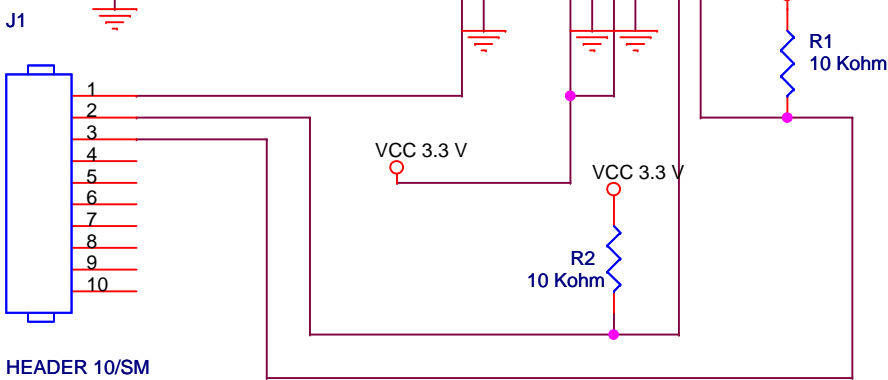
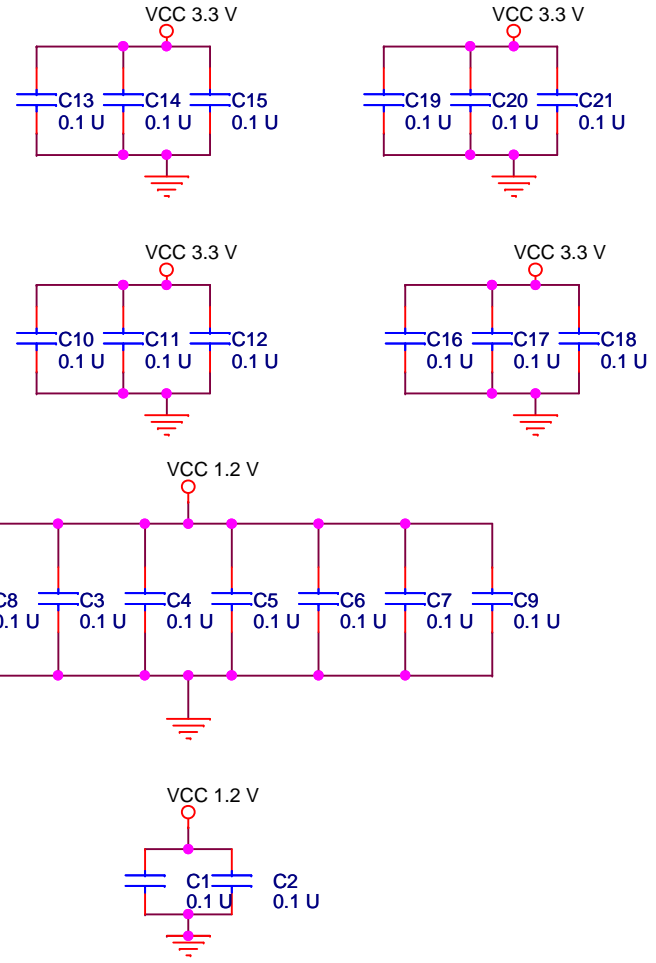
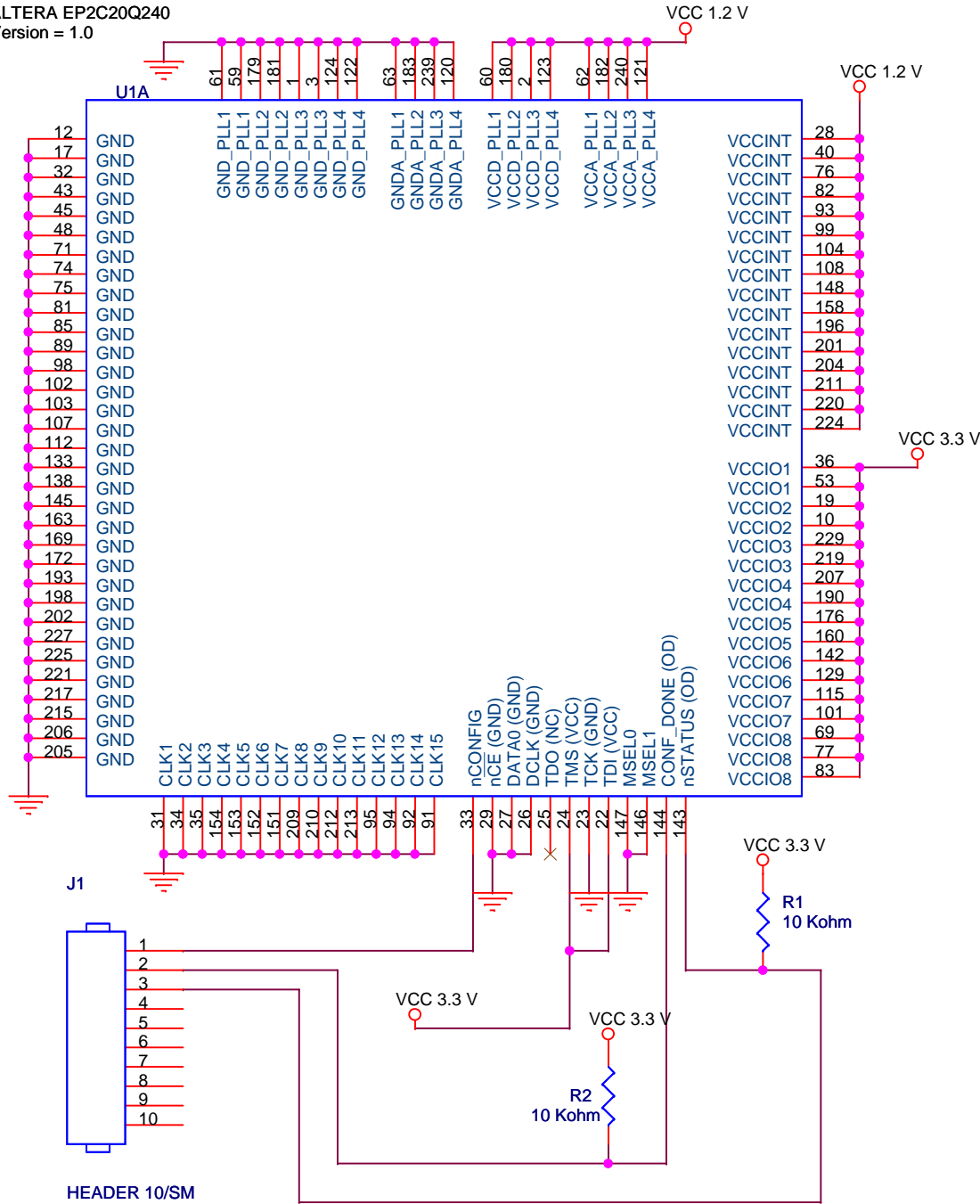
MIDI IN



Title		
MIDI IN		
Size	Document Number	Rev
A	6	1.0
Date:	Friday, September 28, 2007	Sheet 1 of 1

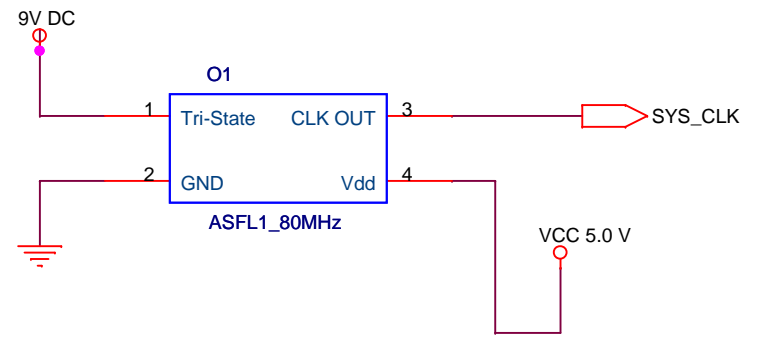
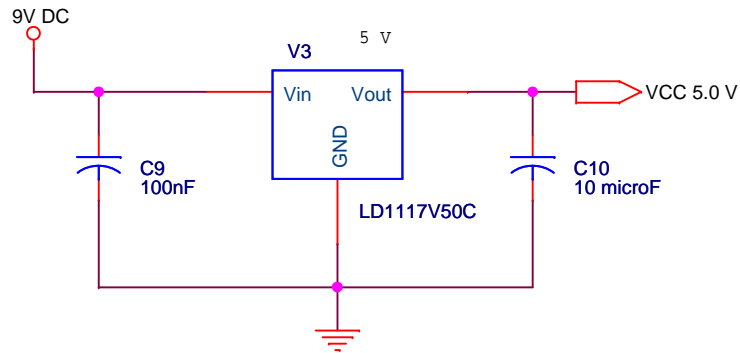
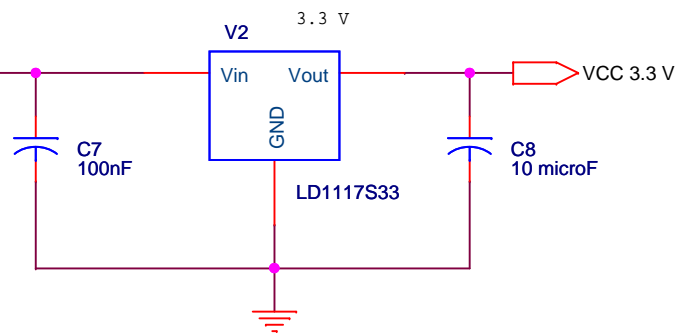
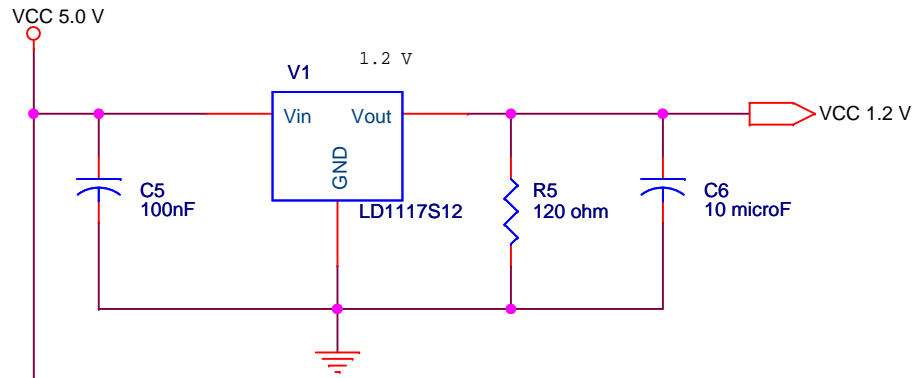
FPGA PWR & GND

ALTERA EP2C20Q240
Version = 1.0



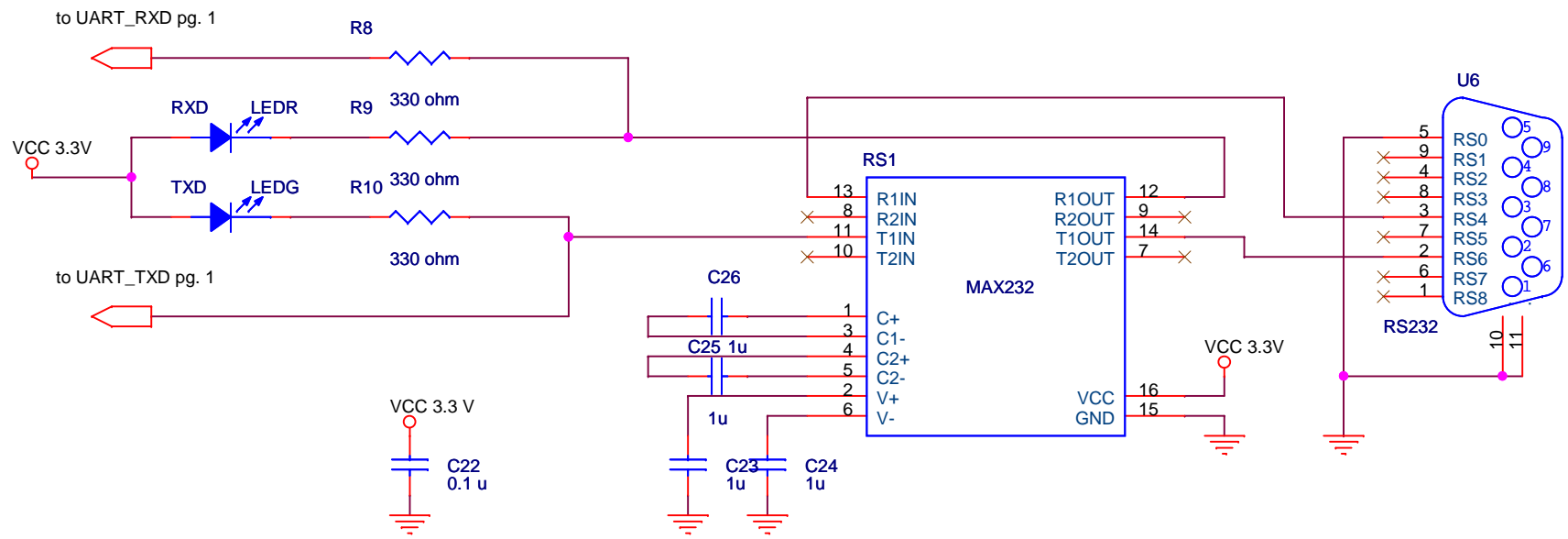
Title		
FPGA PWR & GND		
Size	Document Number	Rev
A	7	<Rev Co
Date:	Friday, September 28, 2007	Sheet 1 of 1

PWR & CLK



Title		
PWR & CLK		
Size	Document Number	Rev
A	8	<Rev Co
Date:	Friday, September 28, 2007	Sheet 1 of 1

RS-232



Title		
RS-232		
Size	Document Number	Rev
A	9	<Rev Co
Date:	Friday, September 28, 2007	Sheet 1 of 1