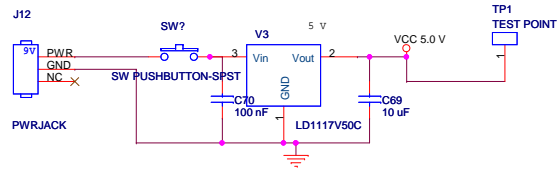
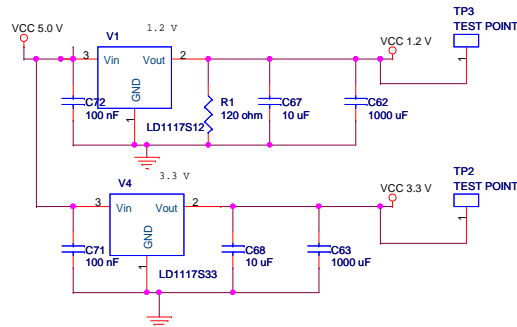
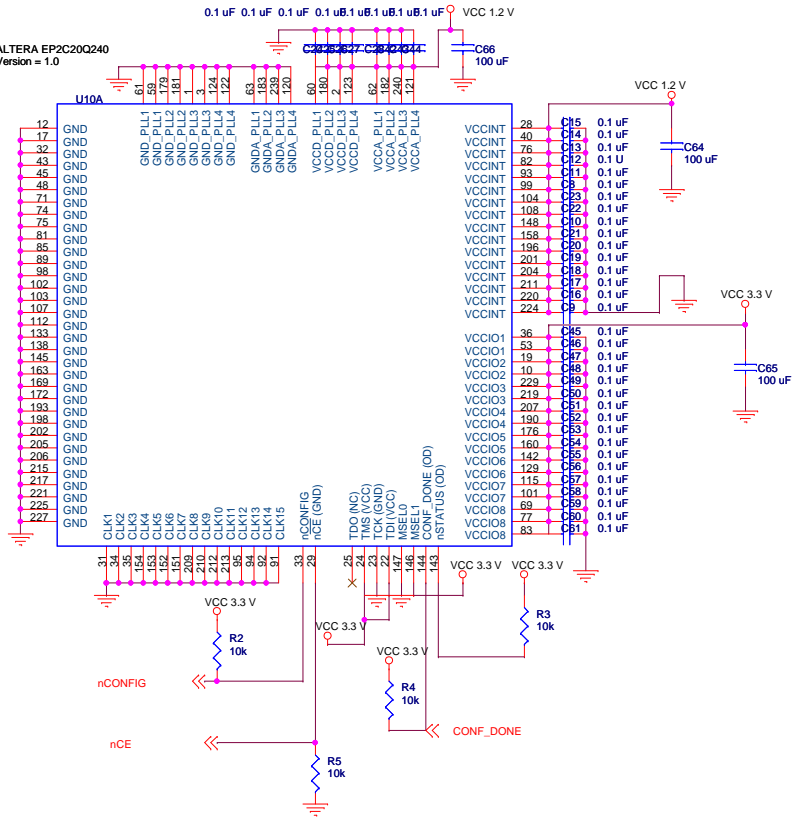
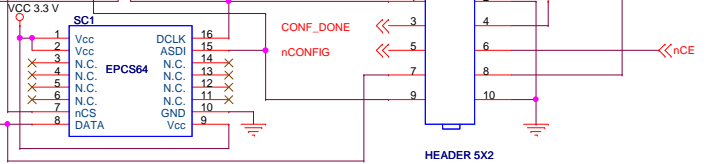
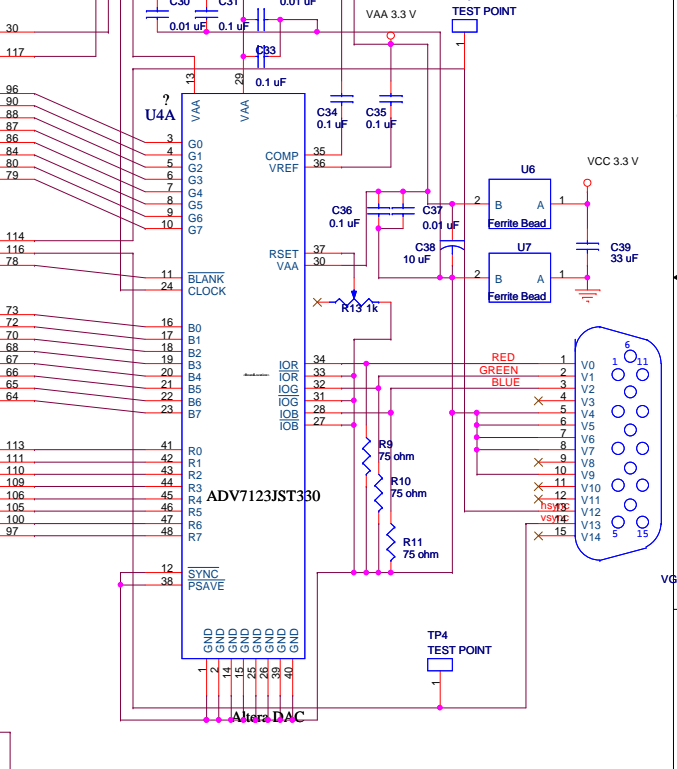
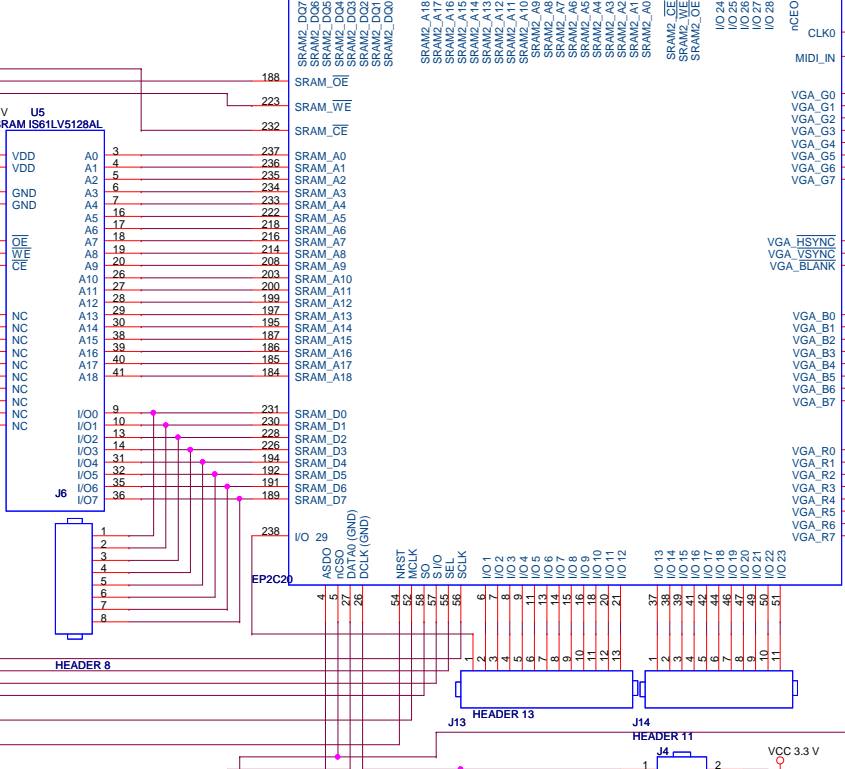
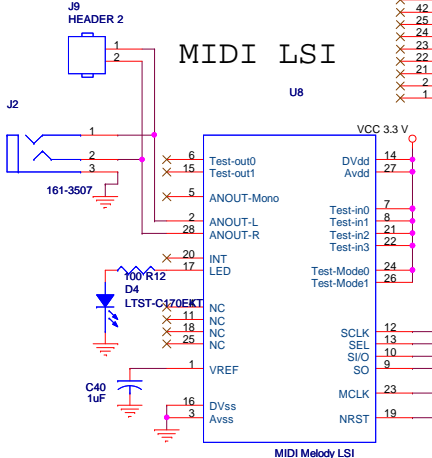
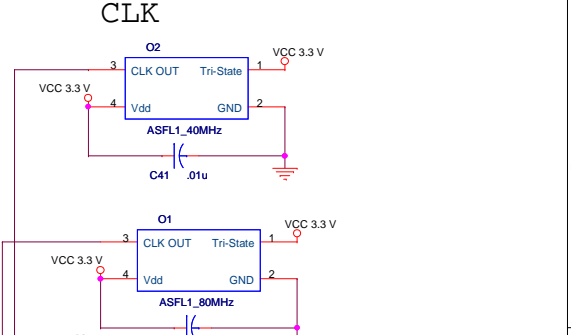
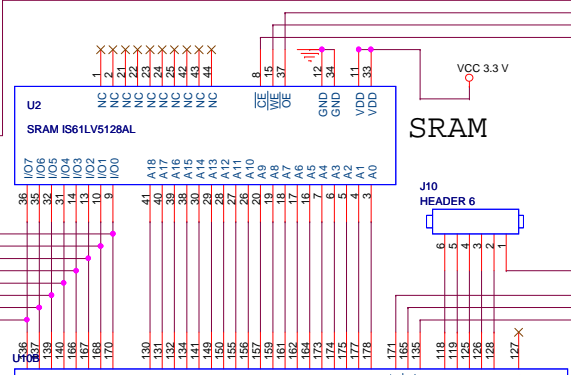
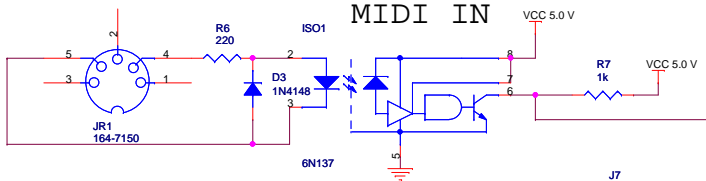


ALTERA EP2K20Q240
Version = 1.0



Title		FPGA	
Size	Document Number	Rev	
Custom1		<Rev Code>	
Date:	Tuesday, October 09, 2007	Sheet	1 of 2



Title	RS-232	Rev	<Rev Code>
Size	Document Number		
	Custom#		
Date:	Friday, October 05, 2007	Sheet	2 of 2