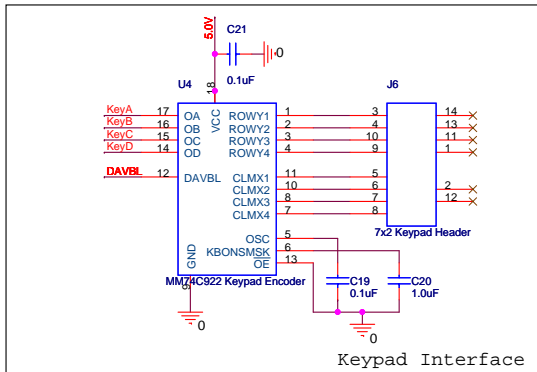
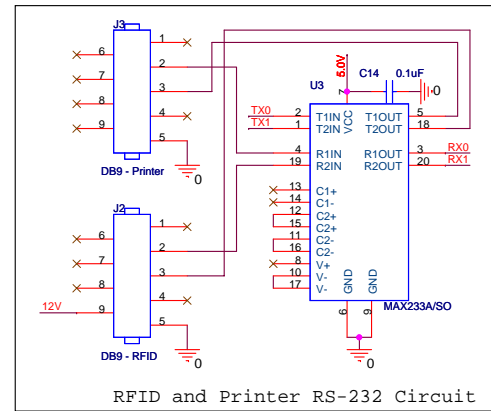


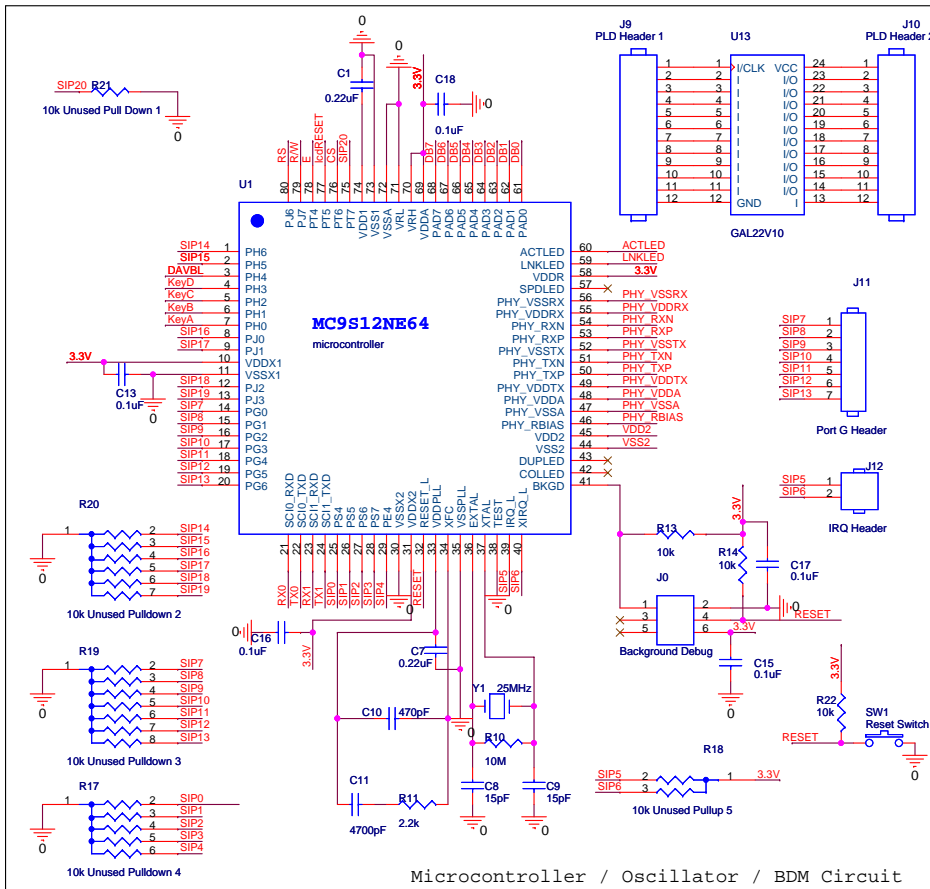
LCD Interface



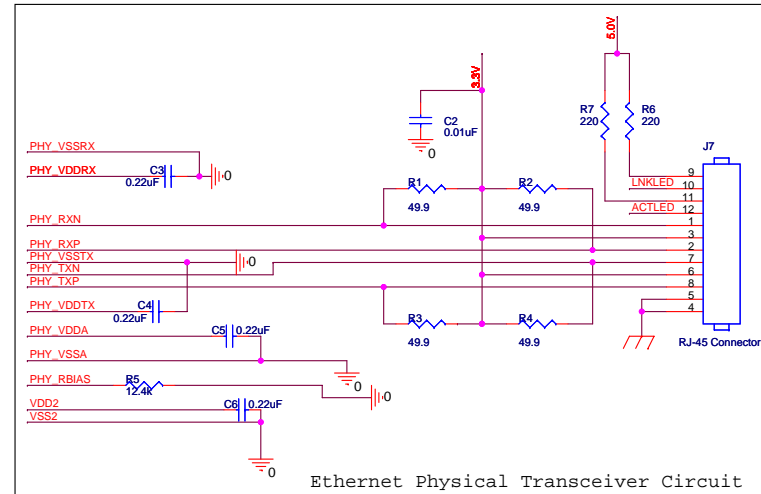
Keypad Interface



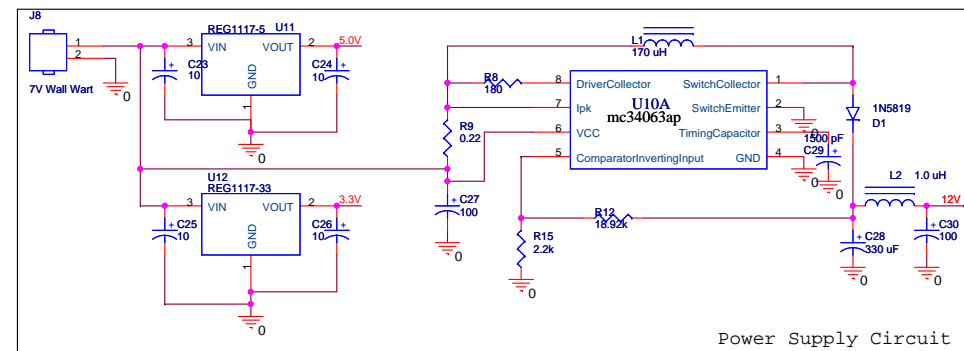
RFID and Printer RS-232 Circuit



Microcontroller / Oscillator / BDM Circuit



Ethernet Physical Transceiver Circuit



Power Supply Circuit

|                               |                           |              |
|-------------------------------|---------------------------|--------------|
| Title                         |                           |              |
| RFID Xpr3ss Schematic, J-Team |                           |              |
| Size                          | Document Number           | Rev          |
| 1                             |                           | 2.0          |
| Date:                         | Sunday, February 26, 2006 | Sheet 1 of 1 |