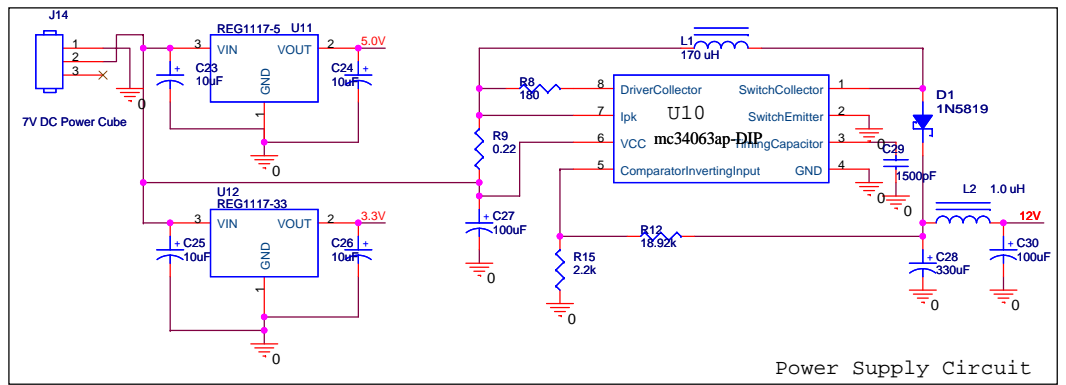
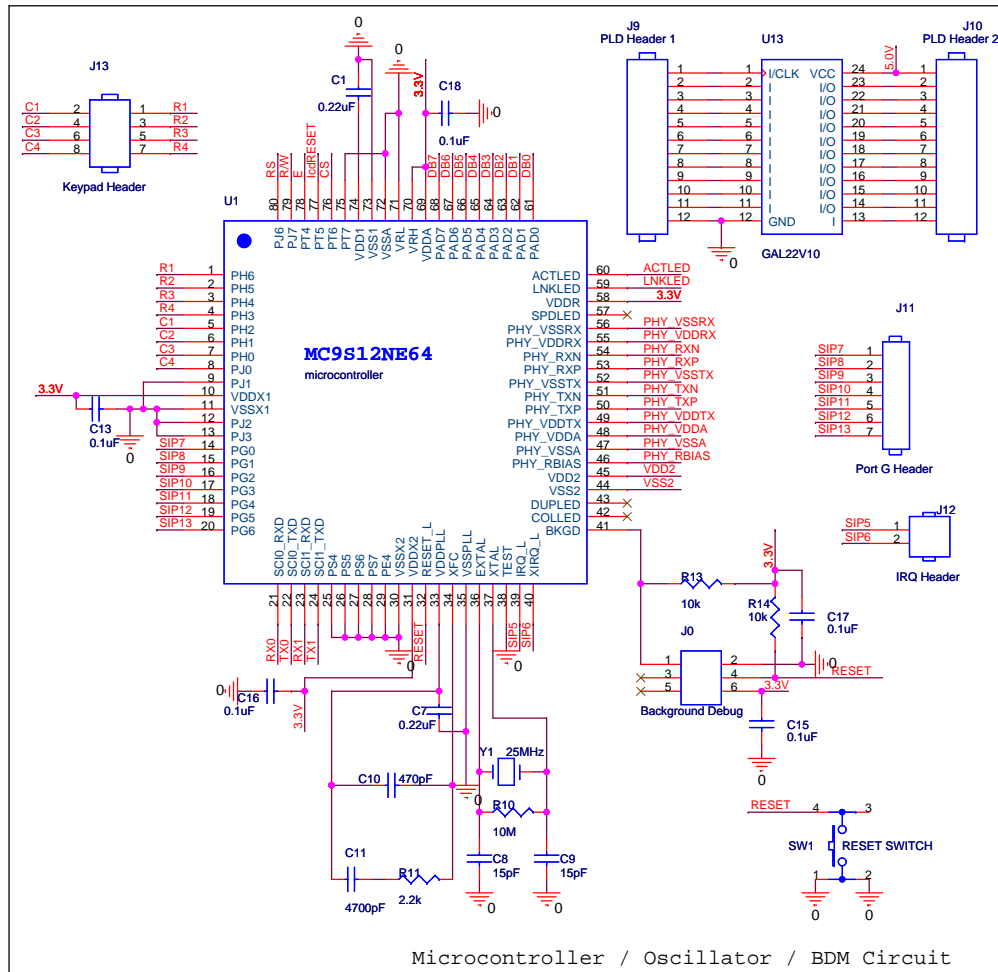


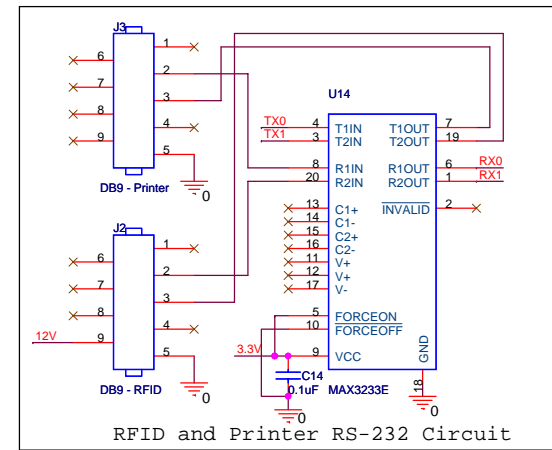
Ethernet Physical Transceiver Circuit



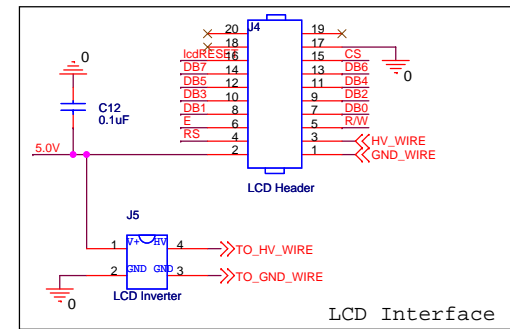
Power Supply Circuit



Microcontroller / Oscillator / BDM Circuit



RFID and Printer RS-232 Circuit



LCD Interface

Title		
RFID Xpr3ss Schematic, J-Team		
Size	Document Number	Rev
1		3.6
Date:	Wednesday, March 08, 2006	Sheet 1 of 1