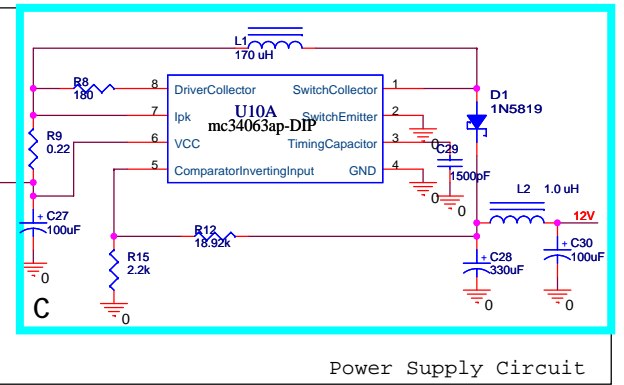
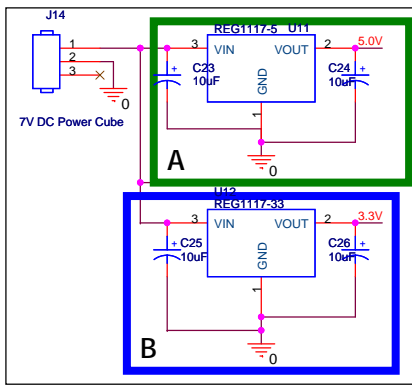
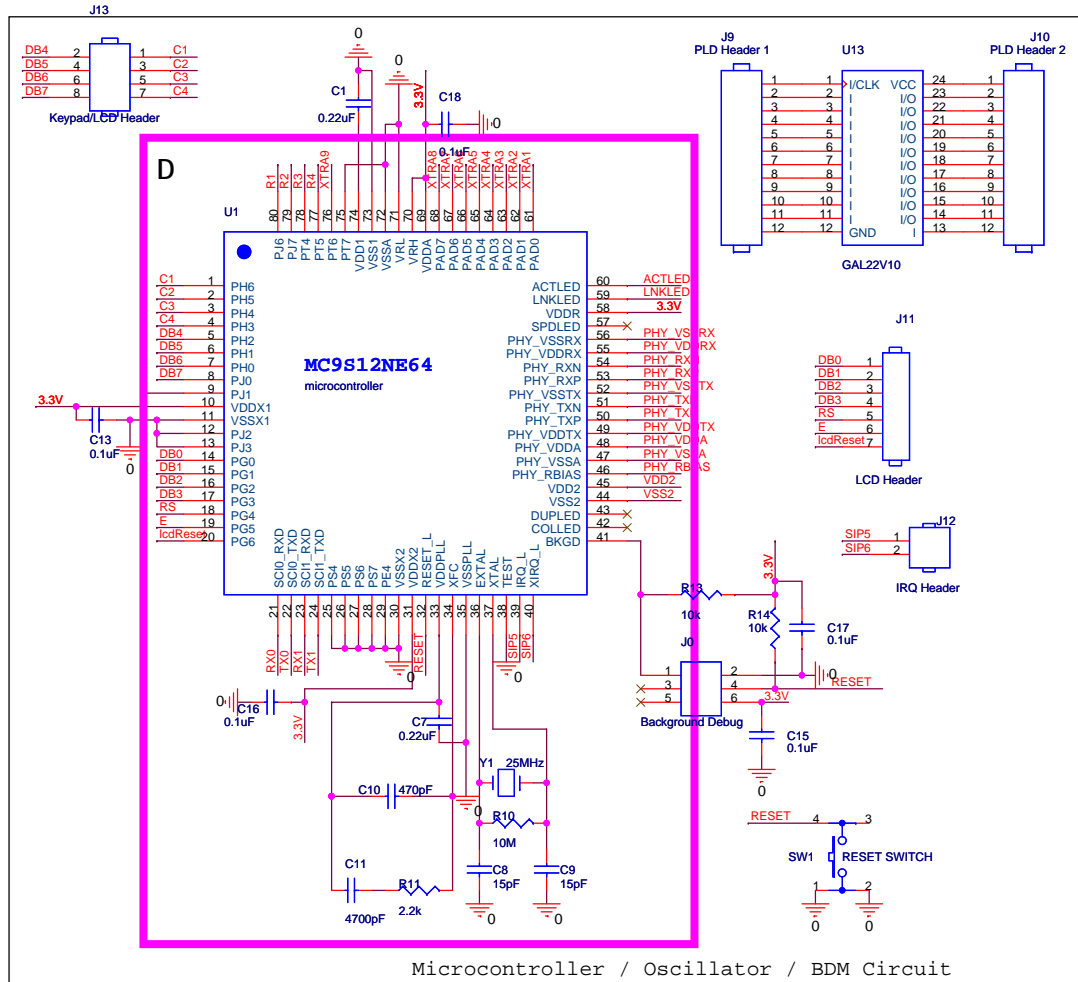


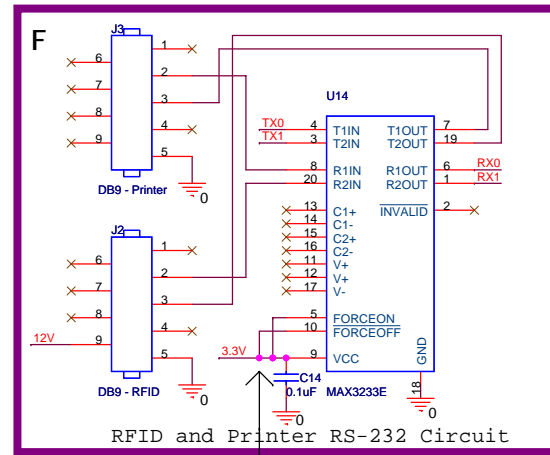
Ethernet Physical Transceiver Circuit



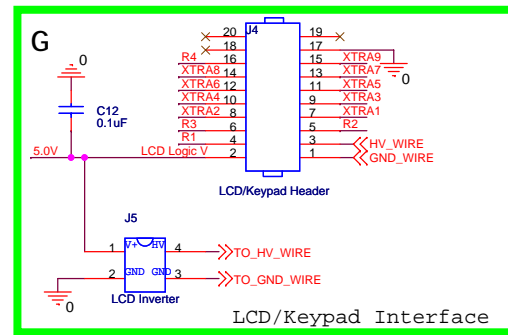
Power Supply Circuit



Microcontroller / Oscillator / BDM Circuit



RFID and Printer RS-232 Circuit



LCD/Keypad Interface

Title		
RFID Xpr3ss Schematic, J-Team		
Size	Document Number	Rev
1	1	Final
Date:	Monday, May 1, 2006	Sheet 1 of 1