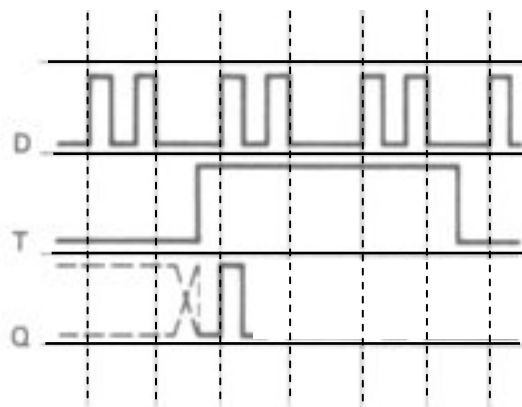
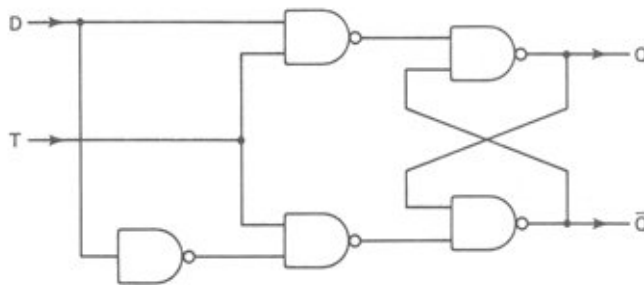
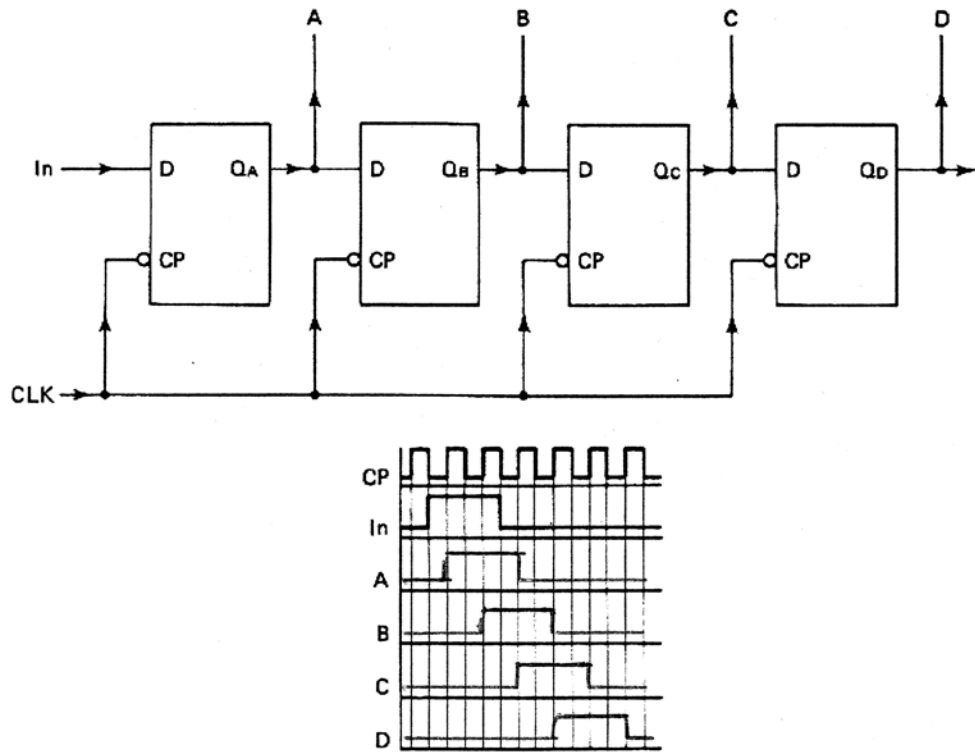


1. Solve Bollinger 5.7  
Design a logic circuit to generate the negative (2's complement) of an 8-bit binary number A.
2. Solve the following problems
  - (a) Bollinger B.5 a, d (in Appendix B)
  - (b) Bollinger B.7 b,c,d (in Appendix B)
3. After reviewing the adder covered in the class, follow a similar logic to construct a full subtracter now.
  - (a) Generate a half-subtractor.
  - (b) Generate a truth table for full subtraction for single binary digits.
  - (b) Construct a logic diagram for a full subtracter.
4. Complete the signal flow for the following logic circuits.
  - (a)



(b)



(c) Complete the truth table for the following circuit

